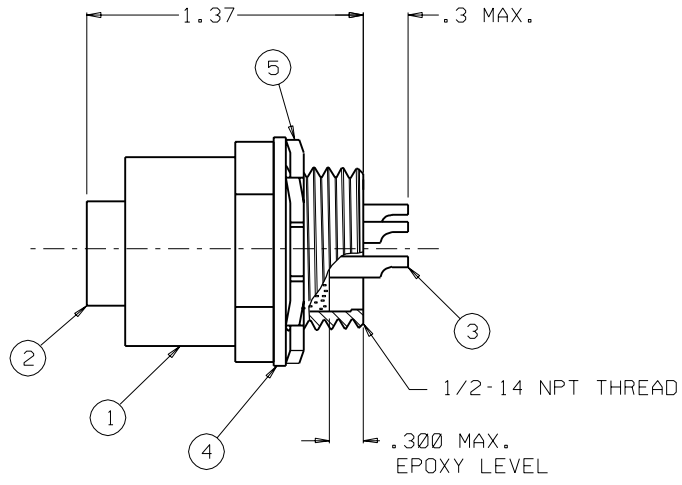
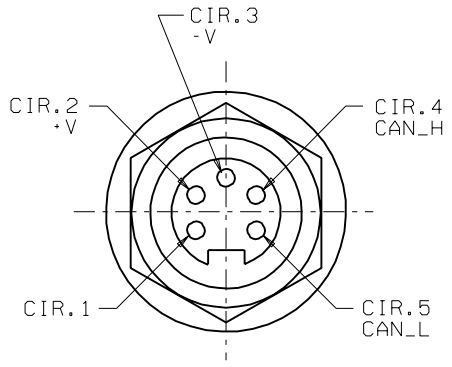


REV	DATE	ECN NO.	APPVD BY	REL BY
A	7-14-97	UM8-0011 PROD. REL.	FWW	
B	11-17-00	UM2001-0148		



ITEM	QTY	DESCRIPTION	MATERIAL/FINISH
5	1	LOCKNUT	STEEL/ZINC PLATED
4	1	GASKET	NEOPRENE
3	5	CONTACT, SOCKET	CU ALLOY/GOLD PLATED
2	1	INSULATOR, FEMALE	PVC/COLOR: GRAY
1	1	SHELL, INT. THD.	ALUMINUM/BLACK ANODIZE

QUALITY SYMBOLS MAJOR = CRITICAL = SPC =	UNLESS SPECIFIED: ALL DIMENSIONS IN INCHES GENERAL TOLERANCES: 3 PLACE ±.005 2 PLACE ±.01 ANGULAR ±2°	SCALE --- DWG SIZE B DRAWN BY & DATE DW 6-9-97 CHECKED BY & DATE DW 6-9-97 APPROVED BY & DATE DW 6-9-97	THIRD ANGLE PROJECTION REVISE ON CAD ONLY TITLE: MINI-C, RECEPTACLE, FEMALE, 5 POLE, DEVICE NET, SOLDER CUP MOLEX INCORPORATED Orange, CA 92868
	Uti-Mate CAGE CODE 58967	PART NO. 848549100 DRAWING NO. SD-84854-9100	92868 SHEET NO. 1 of 1
	THIS DRAWING CONTAINS INFORMATION THAT IS PROPRIETARY TO MOLEX INCORPORATED AND SHOULD NOT BE USED WITHOUT WRITTEN PERMISSION.		REV B

1. RECOMMENDED MOUNTING HOLE SIZE: .875" / .844" DIAMETER.

NOTES: UNLESS OTHERWISE SPECIFIED