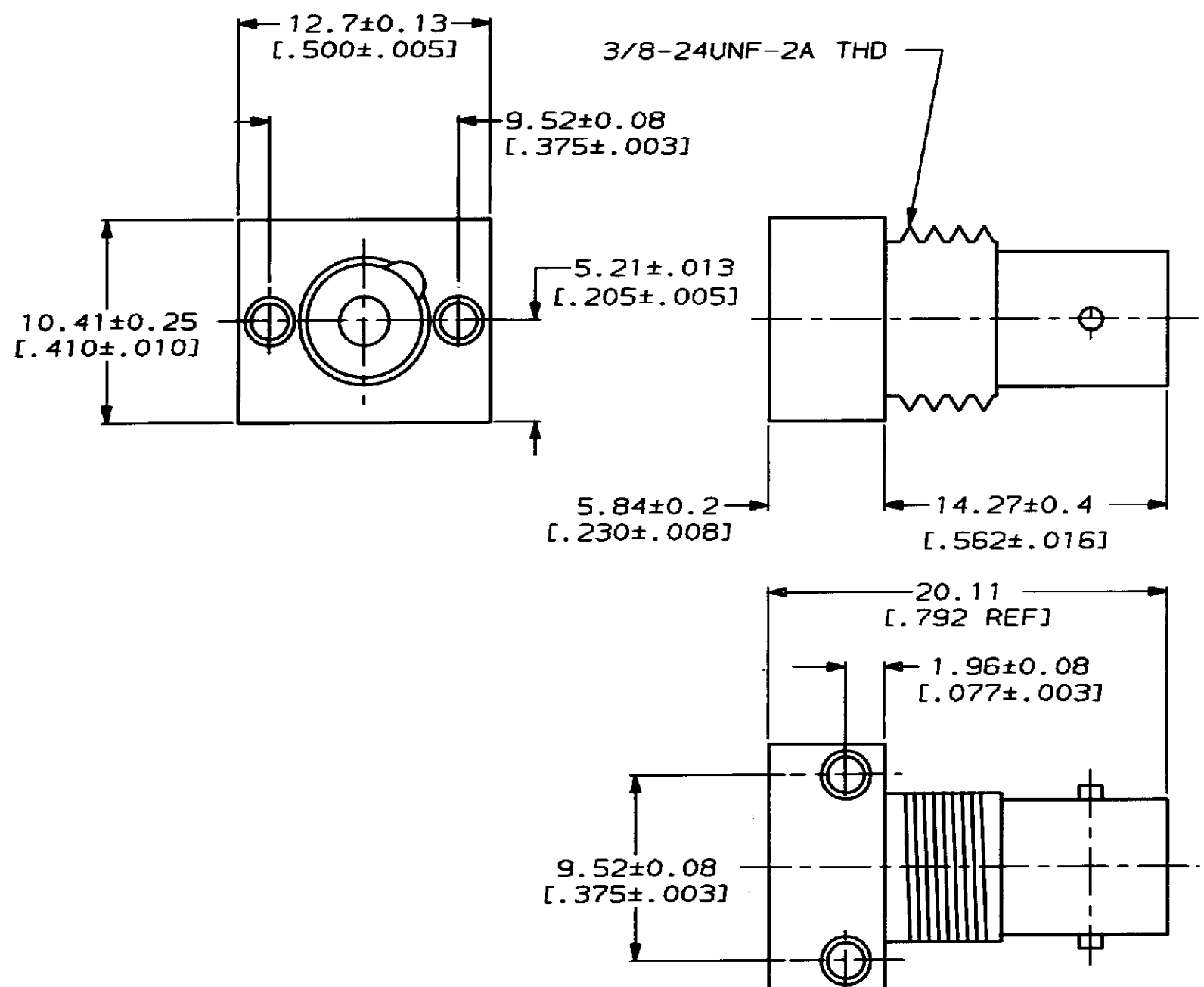


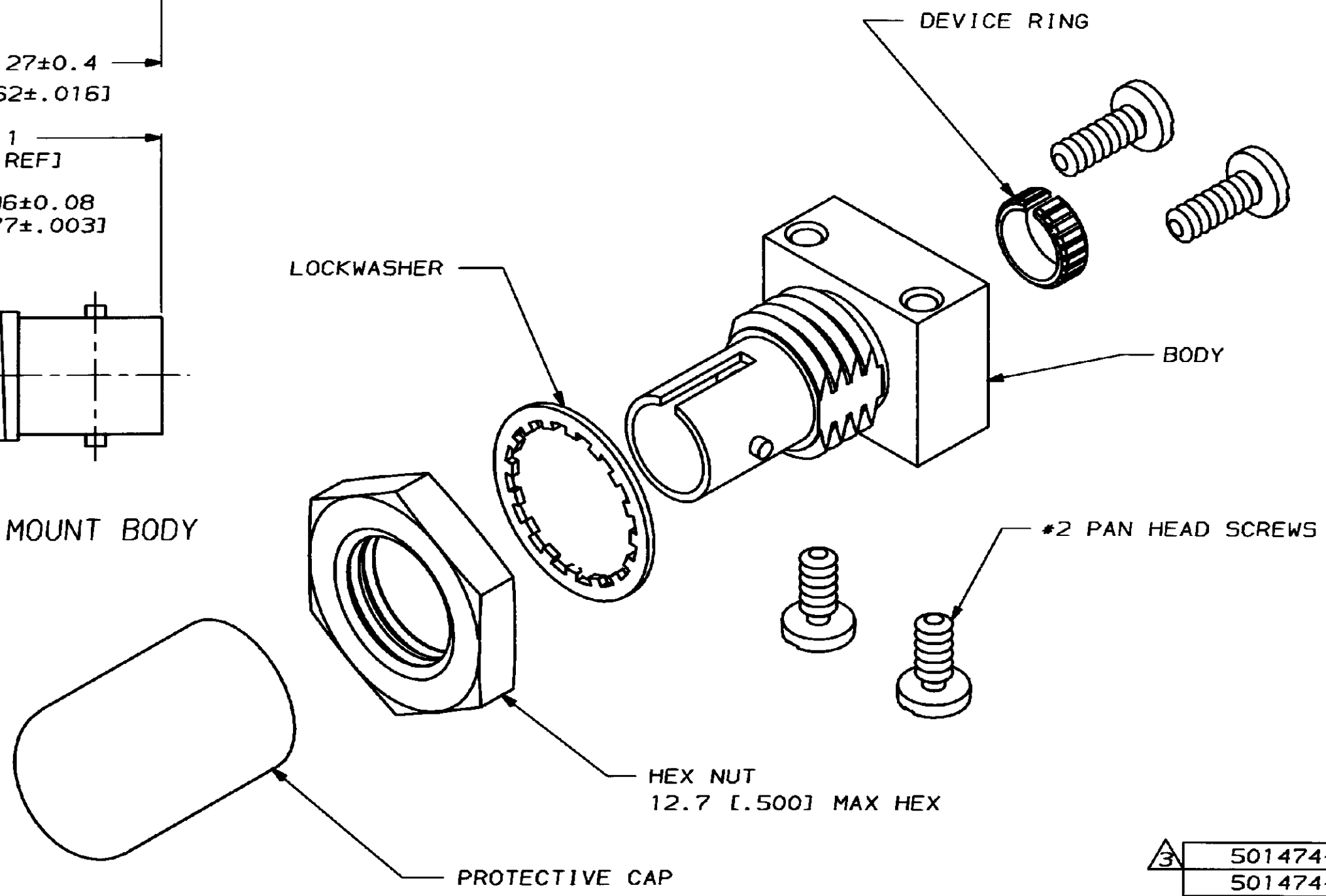
DRAWING MADE IN THIRD ANGLE PROJECTION

THIS DRAWING IS UNPUBLISHED. RELEASED FOR PUBLICATION, 19
 © COPYRIGHT 19 BY AMP INCORPORATED. ALL INTERNATIONAL RIGHTS RESERVED.

LOC	DIST	P	F	ZONE	LTR	DESCRIPTION	DATE	APPD
CE	16					A REDRAWN PER CE-1231	5-5-88	CE/AP
						B ADDED -2 PER NPR 89-133	7-25-89	RH/MP
						C REV PER CE-1907	2-28-90	RH/MP



ACTIVE DEVICE MOUNT BODY



- DIMENSIONS IN [] ARE IN INCHES.
 - ACCEPTS ACTIVE DEVICES, TO-52, TO-18, TO-46, OR LOW COST HONEYWELL SWEETSPOT.
- BULK PACKAGED.

METRIC

DO NOT SCALE PRINT. UNLESS SPECIFIED DIMENSIONS IN MM TOLERANCES ON: 2 PLC DEC ± 3 PLC DEC ± ANGLES ±	DR	C. EISENHOUR	5-5-88	AMP AMP INCORPORATED Harrisburg, Pa. 17105	
	CHK	J. ZEIDERS	5-6-88		
	APPD	A. PLOTTS	5-6-88		
	APPD	K. MONROE	5-6-88		
MATERIAL	ADM BODY: ZINC	PRODUCT SPEC		NAME	ACTIVE DEVICE MOUNT KIT, 2.5mm BAYONET, OPTIMATE
FINISH	ADM BODY: NICKEL	APPLICATION SPEC		SIZE	C
		WEIGHT		FSCM NO	00779
				DRAWING NO	501474
				SCALE	4:1
				SHEET	1 OF 1

501474-2
501474-1
PART NUMBER

CUSTOMER DRAWING

501474

A