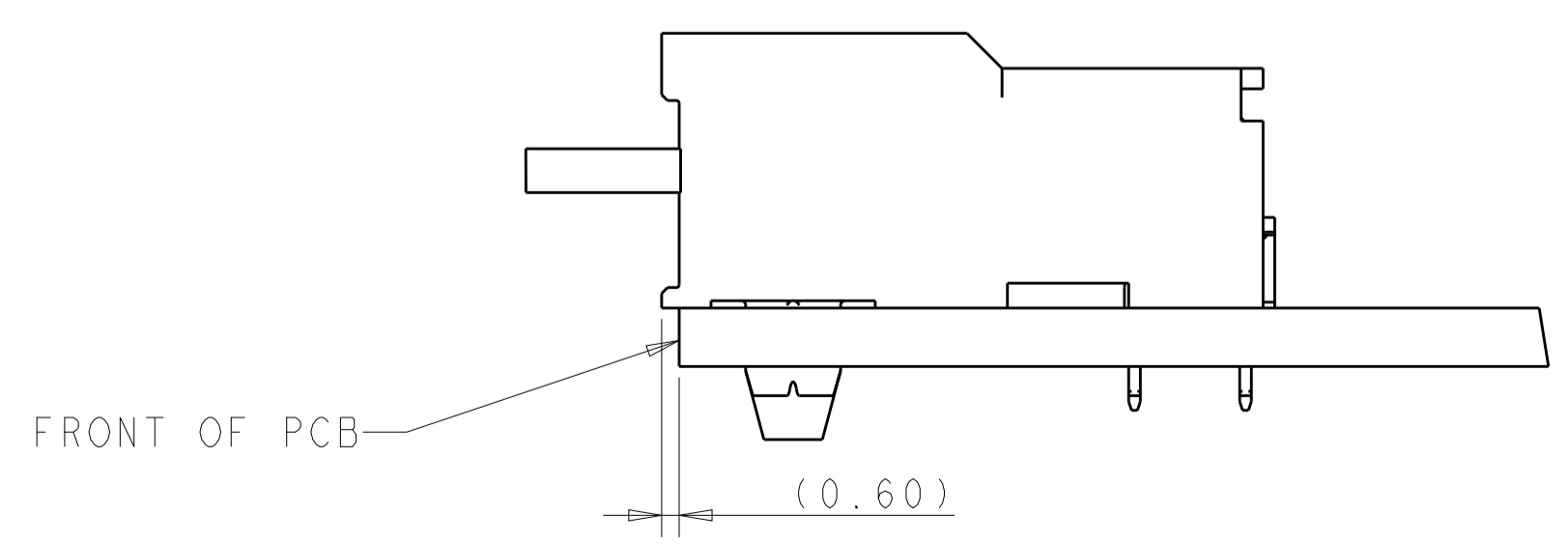
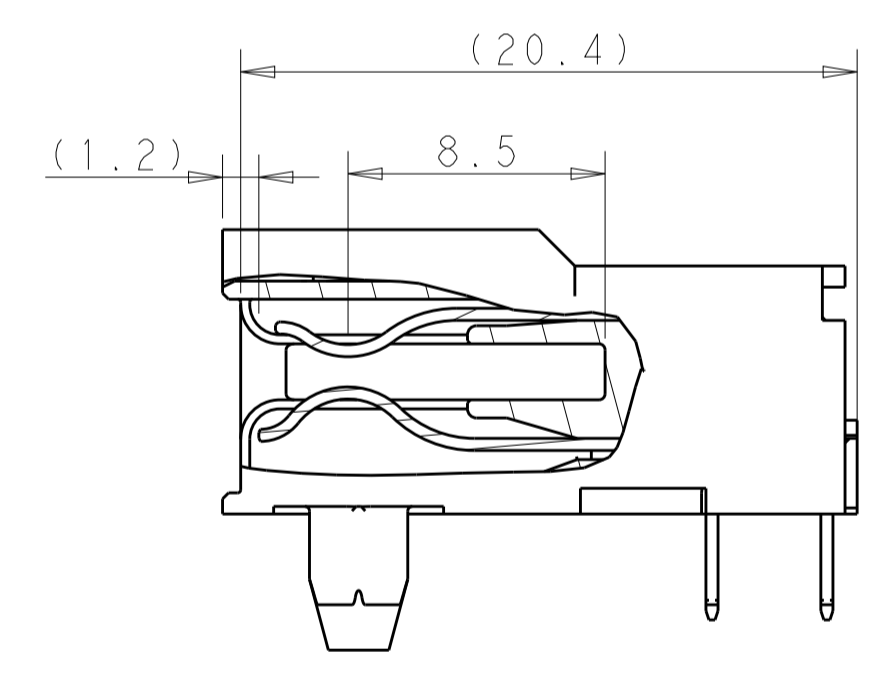
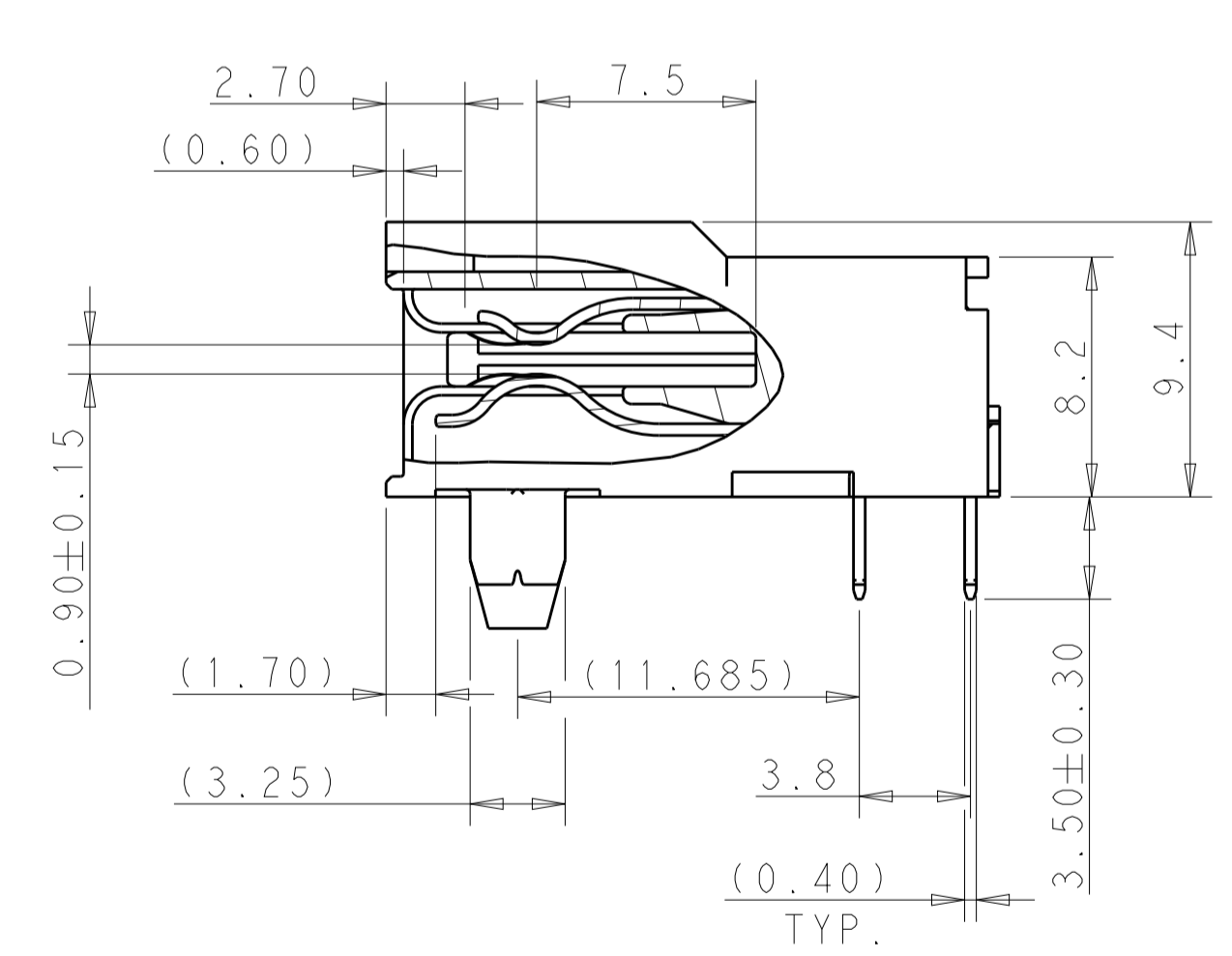
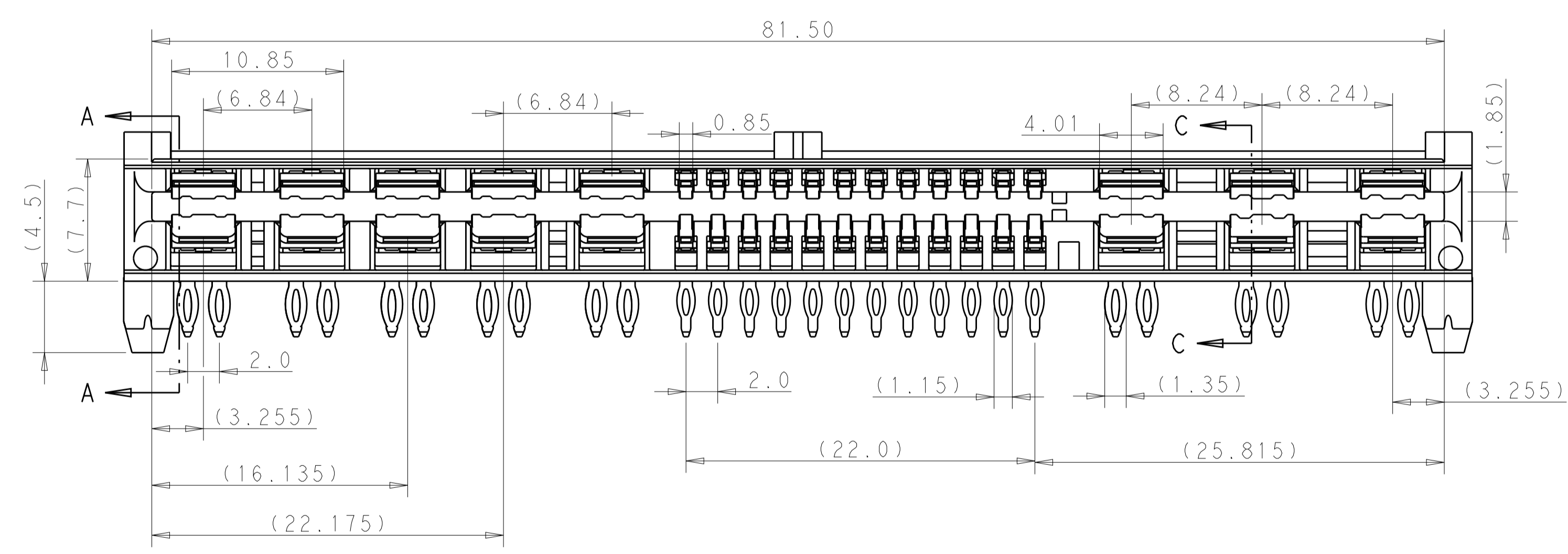
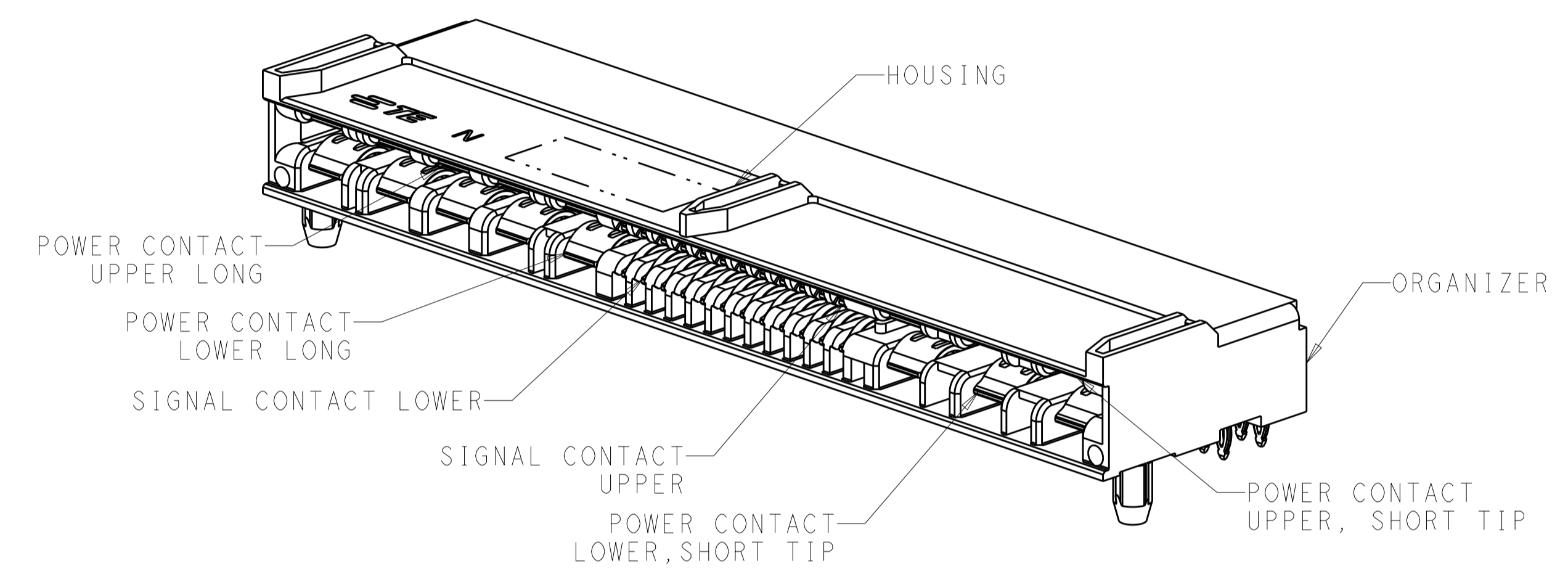
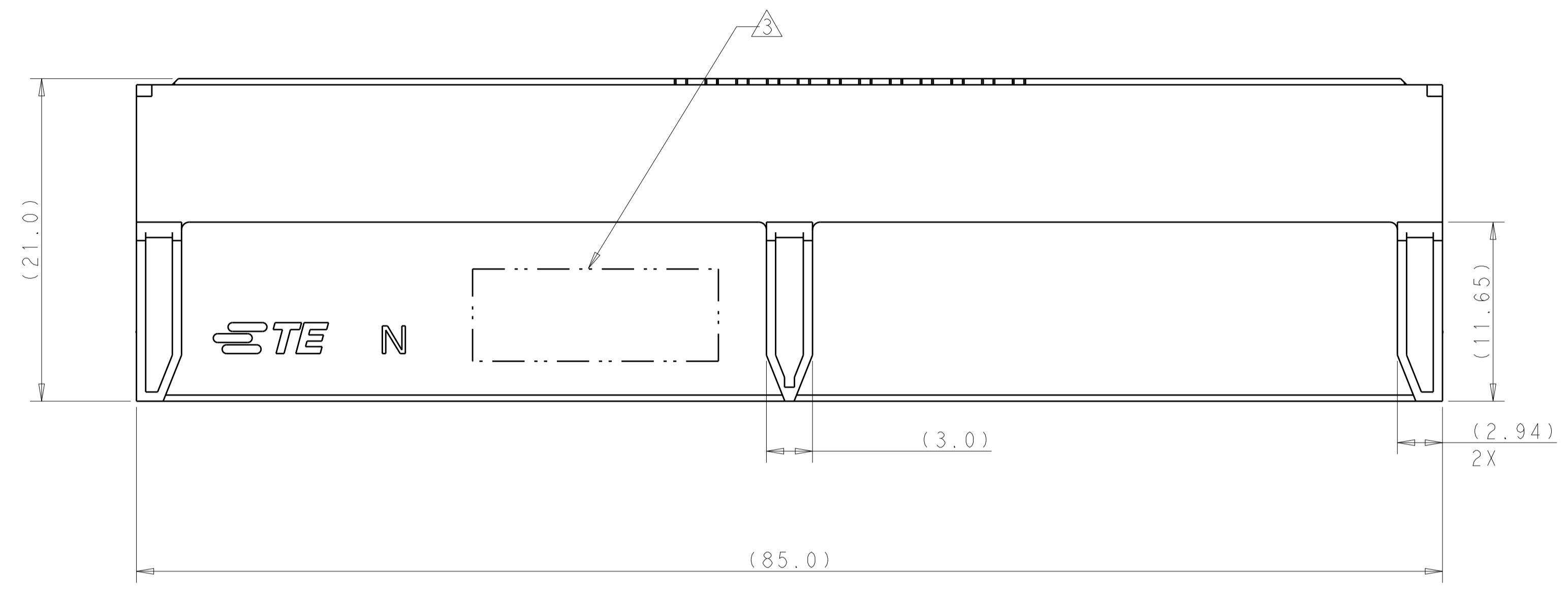


LOC		DIST		REVISIONS			
P	LTN	DESCRIPTION	DATE	DMN	APVD		
A4		ECO-16-018646	17DEC2016	SZ	SZ		
A5		ECO-16-018684	30DEC2016	SZ	SZ		

- NOTES, UNLESS OTHERWISE SPECIFIED
- MATERIAL:
HOUSING - THERMOPLASTIC, GLASS PREINFORCED, COLOR, BLACK, UL 94V-0
CONTACTS- COPPER ALLOY.
 - FINISH:
MATING AREA - NOBLE METAL OVERALL NICKEL.
PRESS FIT - MATTE TIN OVERALL NICKEL.
- ⚠ MARK P/N AND DATA CODE IN APPROX. AREA AS SHOWN.
- NO BURRS AND/OR SHARP EDGES ARE PERMISSIBLE.
 - DATUMS AND BASIC DIMENSIONS ESTABLISHED BY CUSTOMER.



2170231-2	POWER CONTACT, LOWER, SHORT TIP	2	
	POWER CONTACT, UPPER, SHORT TIP	2	
	SIGNAL CONTACT, UPPER	2	
	SIGNAL CONTACT, LOWER	2	
	POWER CONTACT UPPER LONG	6	
	POWER CONTACT LOWER LONG	6	
	ORGANIZER	1	
	HOUSING	1	
	2170231-1	POWER CONTACT, LOWER, SHORT TIP	2
		POWER CONTACT, UPPER, SHORT TIP	2
SIGNAL CONTACT, UPPER		12	
SIGNAL CONTACT, LOWER		12	
POWER CONTACT UPPER LONG		6	
POWER CONTACT LOWER LONG		6	
ORGANIZER	1		
HOUSING	1		
PRODUCT P/N	DESCRIPTION	Q'TY	

THIS DRAWING IS A CONTROLLED DOCUMENT. DWN: JEFF GONG 10JAN2012
CHK: ALEX SHOAL 10JAN2012
APVD: MANGIAN WANG 10JAN2012

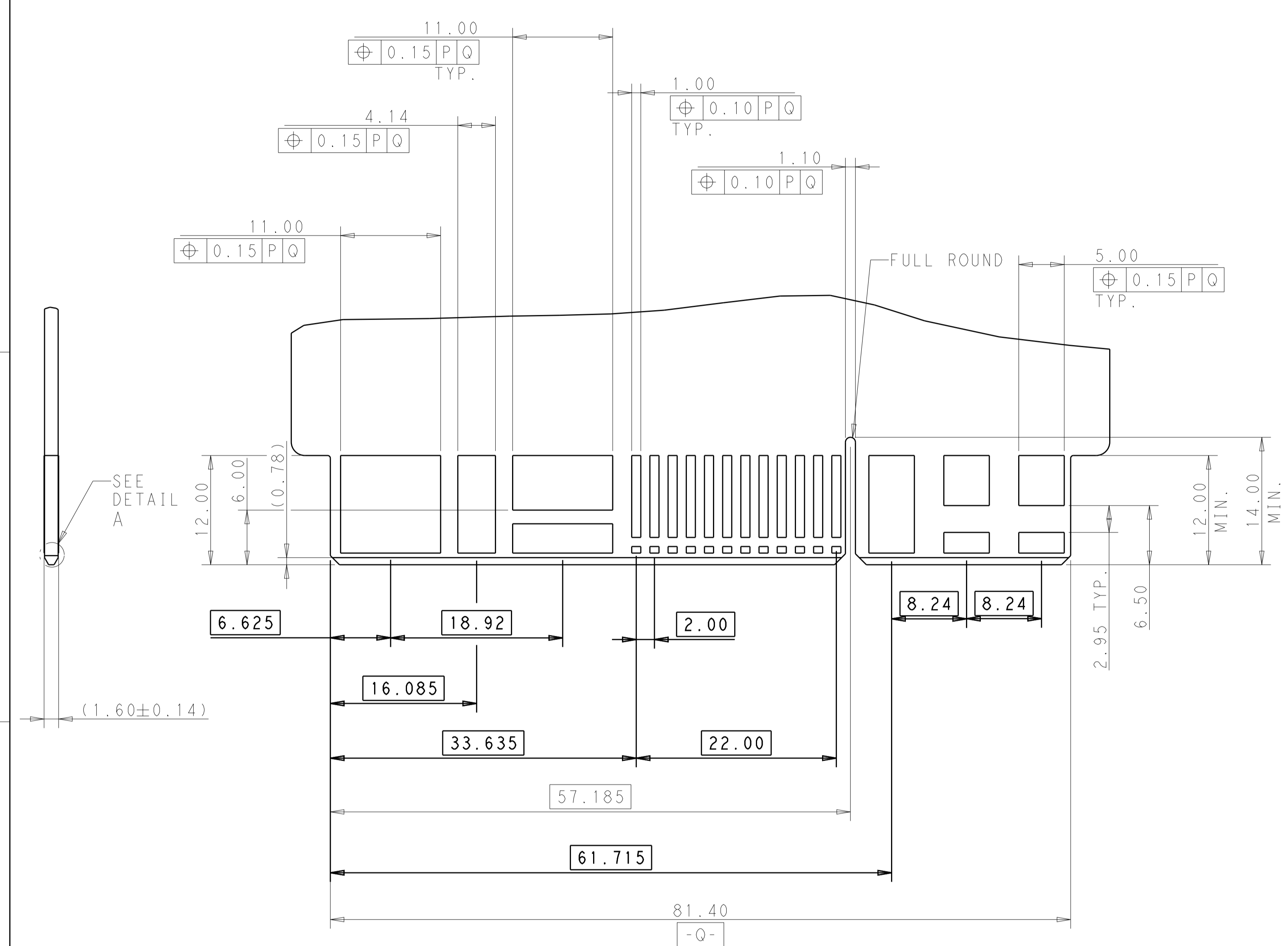
STE TE Connectivity

NAME: HYBRID POWER CARD EDGE PRESS FIT LOW PROFILE
108-60092
APPLICATION SPEC

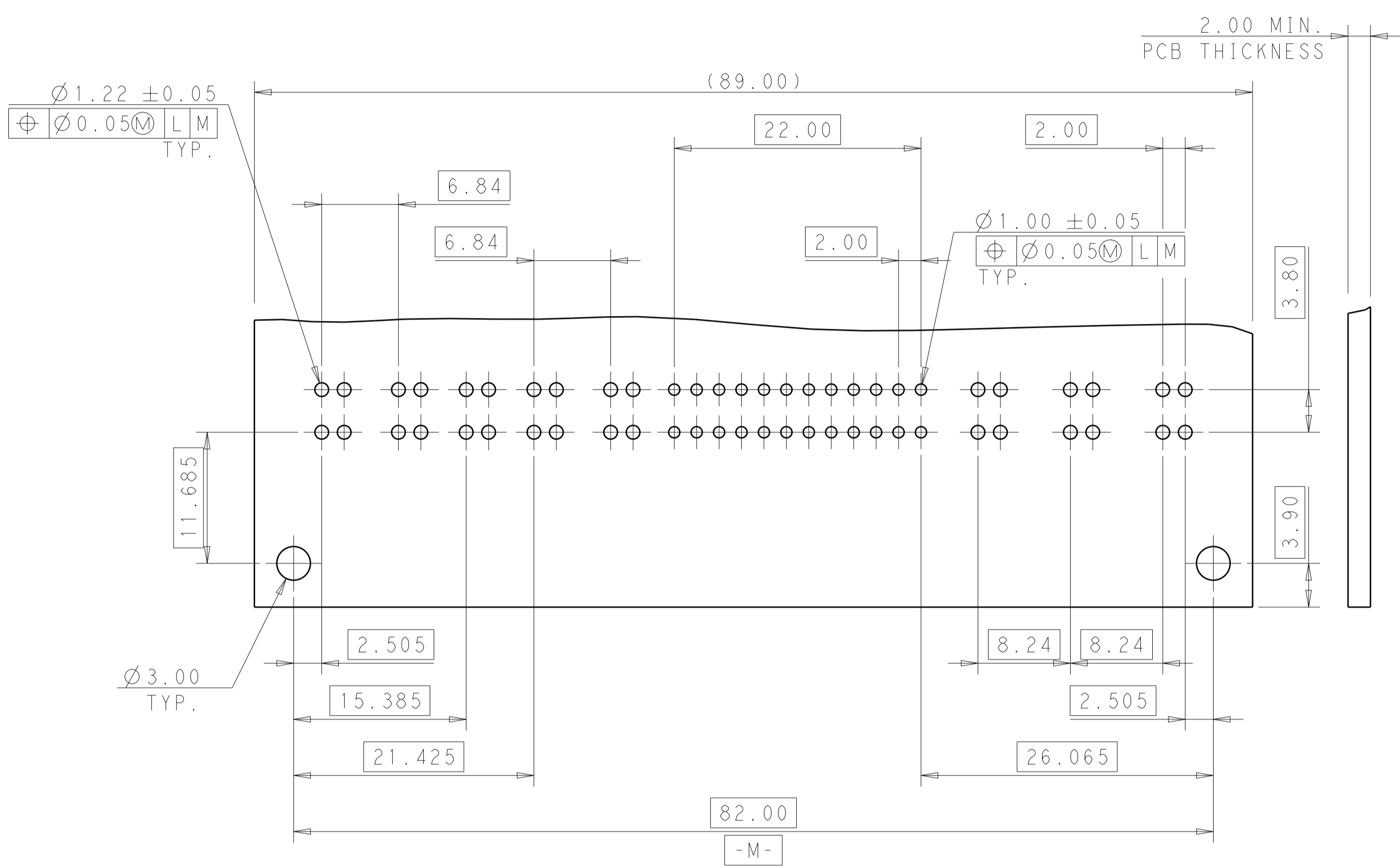
SIZE: A1 CAGE CODE: 2170231 DRAWING NO: 100779
SCALE: 4:1 SHEET 1 OF 2 REV: A5

MATERIAL: FINISH: WEIGHT: CUSTOMER DRAWING

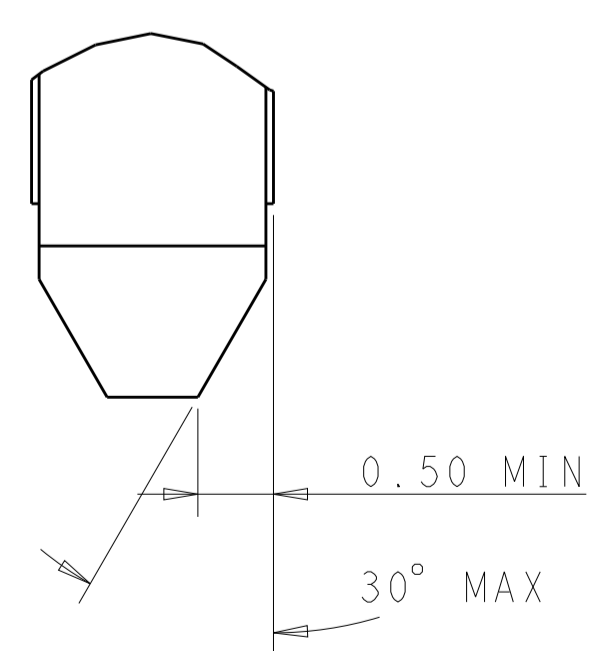
LOC		DIST		REVISIONS			
P	LTN	DESCRIPTION	DATE	DMN	APVD		
-	-	SEE SHEET 1	-	-	-	-	-



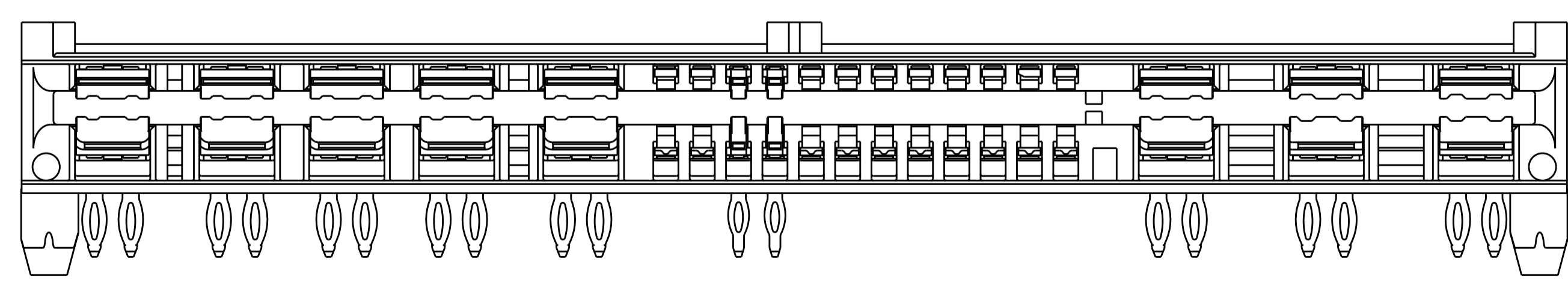
RECOMMENDED CARD EDGE CONFIGURATION
TYP. BOTH SIDE



RECOMMENDED PRINTED CIRCUIT BOARD LAYOUT
COMPONENT SIDE



DETAIL A
SCALE 20:1



P/N: 2170231-2

NOTES, UNLESS OTHERWISE SPECIFIED:

1. PLATED THROUGH HOLE, SIGNAL:
FINISHED HOLE SIZE: 1.00mm.
DRILL HOLE SIZE: 1.10 ± 0.025mm.
2. PLATED THROUGH HOLE, POWER:
FINISHED HOLE SIZE: 1.22mm.
DRILL HOLE SIZE: 1.32 ± 0.025mm.
3. COPPER PLATING THICKNESS: 0.025~0.05mm.
4. SURFACE FINISH: OSP OR IMMERSION TIN PLATING IS RECOMMENDED.

THIS DRAWING IS A CONTROLLED DOCUMENT.		DMN: JEFF GONG 10JAN2012	TE Connectivity
TOLERANCES UNLESS OTHERWISE SPECIFIED:		CHK: ALEX SHOAL 10JAN2012	
DIMENSIONS:	mm	APVD: MANGIAN WANG 10JAN2012	NAME: HYBRID POWER CARD EDGE PRESS FIT LOW PROFILE
0 PLC	±	PRODUCT SPEC	SIZE: CAGE CODE DRAWING NO
1 PLC	±0.2	APPLICATION SPEC	RESTRICTED TO
2 PLC	±0.1		
3 PLC	±0.05		
4 PLC	±		
ANGLES	±		
FINISH	±2		
MATERIAL		WEIGHT	
		CUSTOMER DRAWING	SCALE 4:1 SHEET 2 OF 2 REV A5