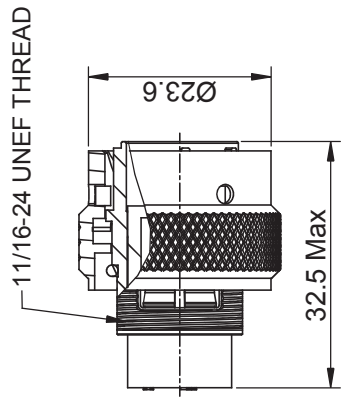
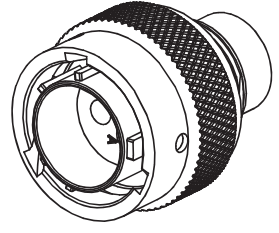
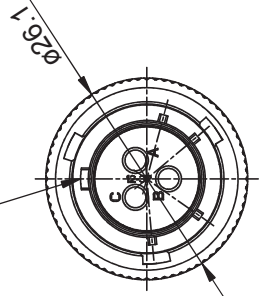


REVISIONS			
REV	ECO	DESCRIPTION	DATE
B1	-	RELEASED DRAWING	JUN-28-2014

BY	APPR
BEN	TOMMY



MASTER KEYWAY



NOTES : (UNLESS OTHERWISE SPECIFIED)

1. MATERIAL :
 SHELL : ZINC ALLOY , NICKEL PLATED.
 INSERT : THERMOPLASTIC , UL94 V-0.
 COUPLING NUT : AL ALLOY , NICKEL PLATED.
 WAVE WASHER : STAINLESS STEEL
 O-RING : NBR.
2. SPECIFICATIONS :
 2.1 RATED CURRENT : 13A (MAX).
 2.2 RATED VOLTAGE : 300V (AC/DC).
 2.3 OPERATING TEMPERATURE : -40°C ~ +105°C.
 2.4 DIELECTRIC WITHSTANDING VOLTAGE : LESS THAN 2 MILLIAMPS CURRENT LEAKAGE@2000 VOLTS AC.
 2.5 INSULATION RESISTANCE : 5000 MEGOHMS MIN.
 2.6 IP--CLASS : IP67.
 2.7 MATING CYCLES DURABILITY : 500 CYCLES MIN.
 2.8 ROHS COMPLIANT.
3. SUITABLE CONTACTS : 16# CONTACTS.
4. ALL DIMENSIONS ARE FOR REFERENCE USE ONLY.

KEY POS	PART NUMBER
N	RT06123PNH
W	RT06123PWH
X	RT06123PXH
Y	RT06123PYH
Z	RT06123PZH

QUANTITY	SEE PART NUMBER CHART	PART NUMBER	DESCRIPTION	ITEM

MATERIALS LIST			
SIGNATURES	DATE	SIZE	REVISION
DESIGN: BEN	JUN 28 2014	B	B1
CHECKED: PL DEC 40 15		C-	
ENGINEER: ANGELO AT		NONE	
APPROVAL:			
CUSTOMER:			
THIS DRAWING IS SUPPLIED FOR YOUR USE. SPECIFICATIONS AND PERFORMANCE DATA SHOWN HEREON ARE THE PROPERTY OF AMPHENOL-SINE SYSTEMS. ALL RIGHTS OF REPRODUCTION ARE IMPLIED. ALL DIMENSIONS ARE UNLESS NOTED OTHERWISE. MANUFACTURING VARIATIONS.			
ECO-MATE, PLUG, SIZE 12, 3POS, PIN.			
Amphenol Sine Systems - www.amphenol-sine.com 44724 Morley Drive Clinton Township, MI 48036			
DWG NO: RT06123P*H SCALE: 1 OF 1			