

DV4114/2N-900- DC Mixed Flow Fan

119 mm mixed flow fan with very high air performance. The DC drive employs an electronically commutated external rotor motor with high efficiency. Drive electronics is completely integrated into the fan hub.



Features

- Electronic protection against reverse polarity, blocking and overloading of the fan.
- Air exhaust over struts.
- Metal fan housing, impeller made of fibreglass reinforced plastic PA.
- Open collector tacho output with 2 pulses per revolution.
- Electrical connection via 2 leads, AWG 22, 310mm long.
 Red: +12VDC
 Blue: GND
 White: /2 Tacho output

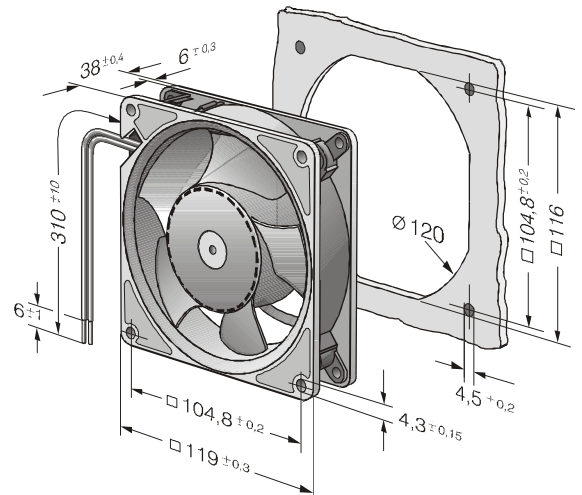
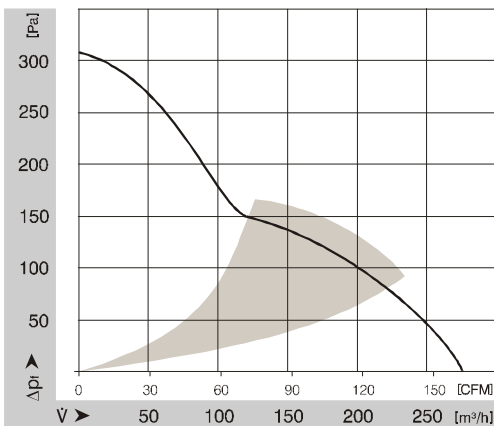
Patents granted or applied for.

General Data

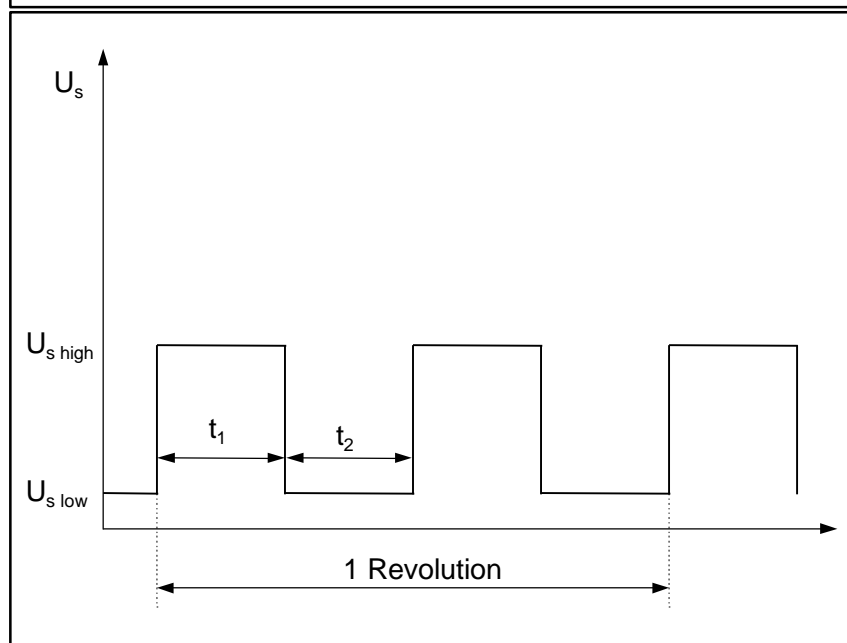
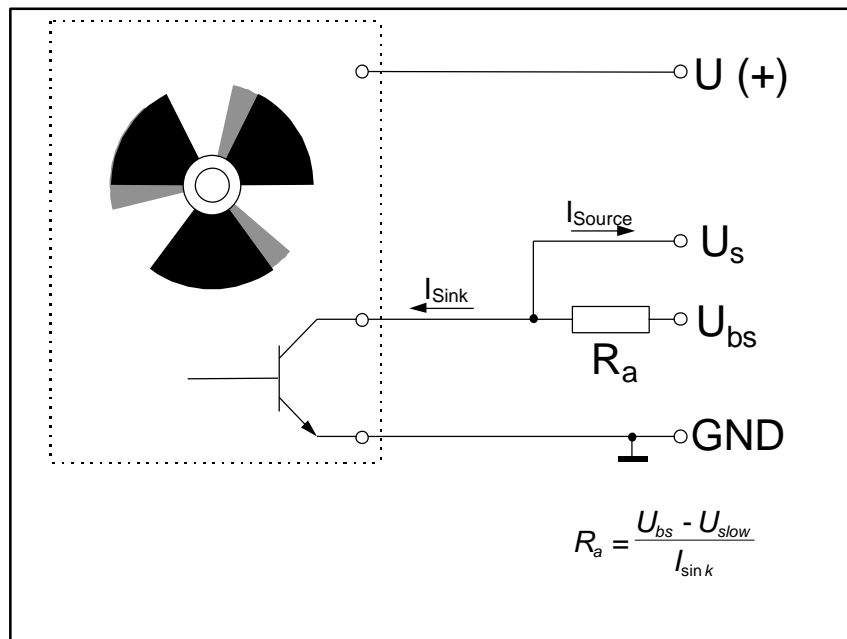
| | | |
|---|-------------------|-------------|
| Nominal voltage | V DC | 24 |
| Voltage range | V DC | 16 ...26,4 |
| Nominal speed | min ⁻¹ | 6100 |
| Max. flow rate | m ³ /h | 275 |
| Max. flow rate | CFM | 161,9 |
| Noise free air | dB(A) | 60 |
| Noise in optimum operating range | bels | 6,7 |
| Power consumption | W | 22 |
| Permanent ambient temperature at max. voltage | °C | -20 ... +65 |
| Service life at +40°C | h | 70.000 |
| Service life at +65°C | h | 40.000 |
| Approvals | applied for | |
| Fan housing / impeller | Metal / PA 6.6 | |
| Bearing system | Ball bearings | |
| Mass | g | 450 |

All data are average values at nominal conditions.

Subject to change without further notice.



Tacho Output Signal „/2“:



| | |
|------------------------|--|
| Output | 2 pulses per revolution |
| U_{bs} | 4...30 V DC |
| $U_{s \text{ high}}$ | 4...30 V DC at $I_{source} = 0 \text{ mA}$ |
| $U_{s \text{ low}}$ | $\leq 0,5 \text{ V DC}$ at $I_{sink} = 2 \text{ mA}$ |
| $I_{sink \text{ max}}$ | $= 2 \text{ mA}$ |
| t_1 / t_2 | 0,8...1,2 |