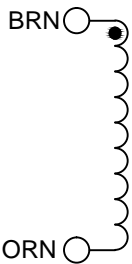


PRIMARY

PRIMARY #1
117V 50/60Hz

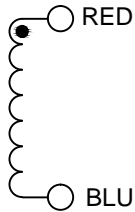


PRIMARY #2
117V 50/60Hz

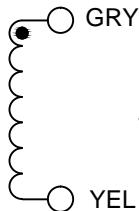


SECONDARY

SECONDARY #1
15V @ 10.0Amps



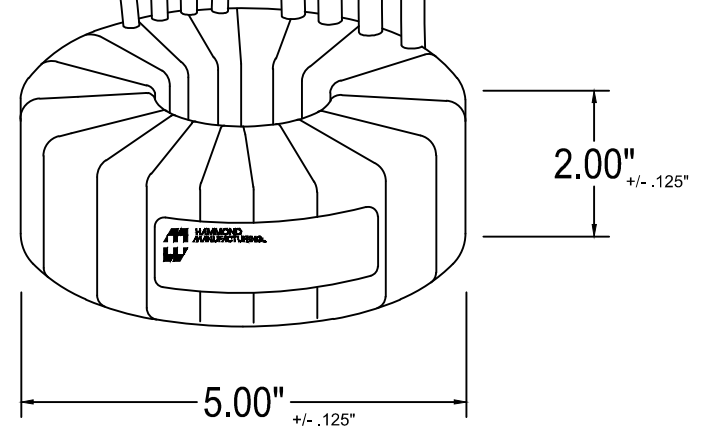
SECONDARY #2
15V @ 10.0Amps



PRIMARY LEADS ARE #20 TEW
SECONDARY LEADS ARE #12 TEW

ALL LEADS OUT 8"-9" AND
STRIPPED 0.5" MIN.

WEIGHT: 6.02Lbs +/- 4%



HAMMOND MANUFACTURING
1182S15
50/60Hz VA:300
PRI: 2x 117V BLK-WHT, BRN-ORN
SEC: 2x 15V @ 10.0A RED-BLU, GRY-YEL
1A0300A000C015015
MADE IN CANADA DATE PB
RoHS Compliant
CE, UL, and other compliance logos.

SUPPLIED WITH: TWO 0.062" T X 3.75" OD RUBBER WASHERS.
ONE 16GA X 3.56" OD STEEL MOUNTING WASHER.
ONE 1/4-20 BOLT 2.50" LONG WITH A LOCK WASHER AND 1/4-20 HEX NUT.

ELECTRICAL DATA:

TESTS	CONDITIONS	ACCEPTANCE CRITERIA
Sec. N.L.V	@ 117V, 60Hz BLK & BRN to WHT & ORN	
OR	@ 234V, 50Hz BLK to ORN (Connect BRN & WHT)	
	RED - BLU	15.75 V ±2%
	GRY - YEL	15.75 V ±2%
POLARITY	BLK, BRN, RED and GRY.	ADDITIVE
DCR	BLK - WHT	1.960 Ohms ±20%
IN OHMS	BRN - ORN	1.960 Ohms ±20%
	RED - BLU	0.040 Ohms ±20%
	GRY - YEL	0.040 Ohms ±20%
HI POT	PRIMARY - SECONDARY	4000V, 60Hz, 1 SEC
	PRIMARY - PRIMARY	600V, 60Hz, 1 SEC
	SECONDARY - SECONDARY	600V, 60Hz, 1 SEC

PROPERTY AND COPYRIGHT NOTICE
THIS DRAWING AND THE INFORMATION IT CONVEYS ARE THE PROPERTY OF HAMMOND MANUFACTURING. IT MAY NOT BE REPRODUCED, TRANSMITTED OR USED IN ANY MANNER WHATSOEVER WITHOUT THE WRITTEN PERMISSION OF HAMMOND MANUFACTURING.

REV	NOTES	BY	DATE	HAMMOND MANUFACTURING ELECTRONIC DIVISION 52 RANKIN PLACE, WATERLOO, ONTARIO, N2J 3Z5 PHONE: 519.886.6181 FAX: 519.886.9540
TOROID POWER TRANSFORMER				
DRAWN G. GRAY		DATE 21/03/2014		NUMBER 1182S15
APPROVED		DATE		