

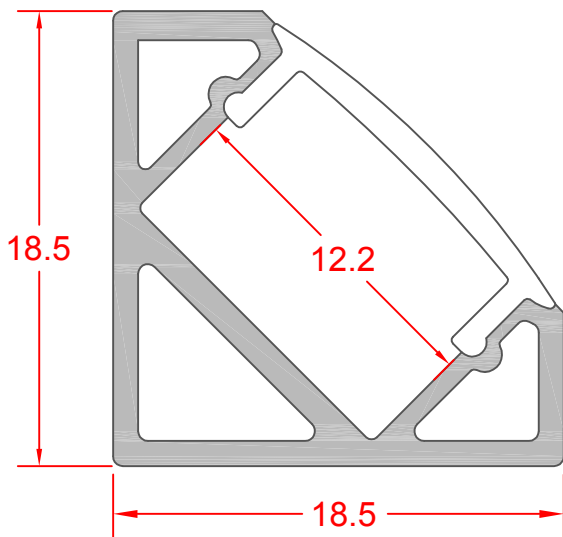
# LED ALUMINUM CORNER CHANNEL RAIL WITH COVER

## FEATURES

Will work with all 8,10,12mm wide LED Flex Ribbons.

Cover acts as a Light Diffuser eliminating hot spots on reflective surfaces.

Each Rail includes 2 End Caps.



## NOTES:

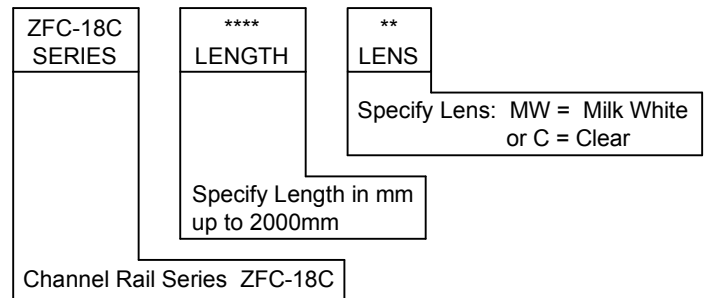
1. Rail Material 6063 Al Clear Anodized with a Matt Finish.
2. Cover Material is PMMA.
3. Operating Temperature -26 C to +60 C.

## ACCESSORIES ( Order Separate):



**MOUNTING CLIP**  
JKL Part No.: ZRC-18C

## CHANNEL LENGTH AND LENS ORDERING GUIDE



JKL Part Number Example: ZFC-18C1000-MW  
Channel Series with 1 Meter (1000mm) Length and Milk White Lens.

Consult with JKL for availability of Lengths and Lens on hand for immediate needs.

		<b>METRIC</b>  THIRD ANGLE PROJECTION		DIMENSIONS ARE IN mm (INCHES) TOLERANCE UNLESS OTHERWISE SPECIFIED 1 PL +/- REF. 2 PL +/- REF. ANGLE +/-		<b>JKL COMPONENTS CORPORATION</b>					
						TITLE <b>LED ALUMINUM CORNER CHANNEL RAILS WITH 2 END CAPS</b>					
RELEASED		7/30/14		DRAWN BY L. WENGSTROM APPV'D BY L.R. DATE 7/30/14		SIZE <b>A</b> SCALE NONE		FSCM NO. <b>55335</b>		DRAWING NO. <b>ZFC-18C MULTI</b>	
REV. NO.	DESCRIPTION/ECO NUMBER	APPV'D DATE	- CAD DRAWING - MANUAL REVISIONS NOT PERMITTED			RELEASED DATE	7/30/14	REVISION DATE	REV. NO.	SHEET 1 OF 1	