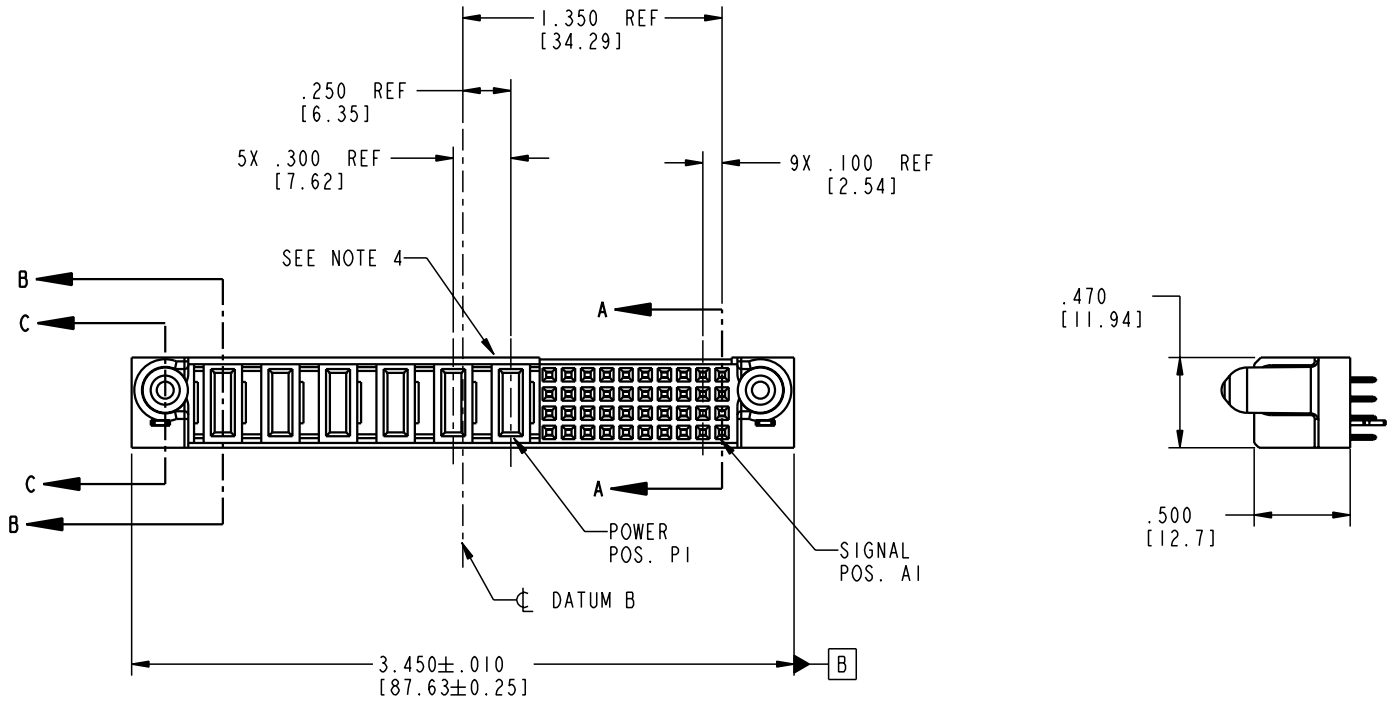


Tous droits strictement réservés. Reproduction ou communication o des liens interdite sous quelque forme que ce soit sans autorisation écrite du propriétaire. Propriété de c FCI. Droits de reproduction FCI.

All rights strictly reserved. Reproduction or issue to third parties in any form whenever is not permitted without written authority from the proprietor. Property of FCI. Copyright FCI.

PRODUCT NO.	ROWS	POWER						SIGNAL											
		E2	P6	P5	P4	P3	P2	P1	10	9	8	7	6	5	4	3	2	1	E1
51940-048	D C B A		PD	PD	PD	PD	PA	PA	E	E	E	E	E	E	E	E	E	E	E



CODE	DIM "M" MATING LENGTH	CONTACT TYPE
E	N/A [N/A]	SIGNAL
PA	.042 [1.07]	POWER
PD	.092 [2.34]	POWER
HA	N/A [N/A]	HOLD-DOWN

mat'l code				SEE NOTE 2		tolerances unless otherwise specified		CUSTOMER		 www.fciconnect.com	
ltr	ecn no.	dr	date	linear	.XX ± .01/0.X ± 0.3		COPY		title		
A	V03-0716	DAI	06/29/03		.XXX ± .005/0.XX ± 0.13		projection		40S + 6P		
					.XXX ± .0020/0.XXX ± 0.051		 INCH/MM		VERTICAL SOLDER RECEIPT		
				angles	0° ± 7°		scale		product family		code
				dr	D. INGRAM	06/29/03	1:1		PwrBlade		213
				engr	M. MOSTOLLER	06/29/03			size		sheet
				chr	M. MOSTOLLER	06/29/03			dwg no		1 of 4
				appd	M. MOSTOLLER	06/29/03			A 51940-048		
sheet index	revision sheet	A	A	A	A						
		1	2	3	4						

FCI

FCI www.fciconnect.com

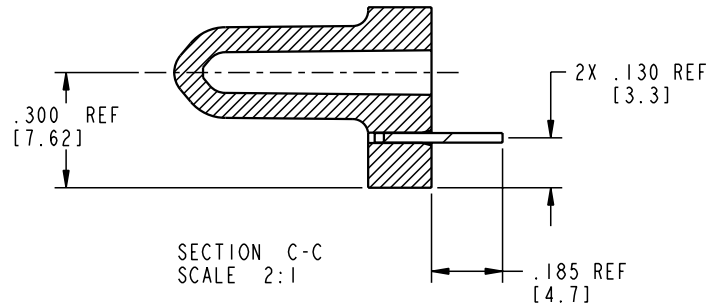
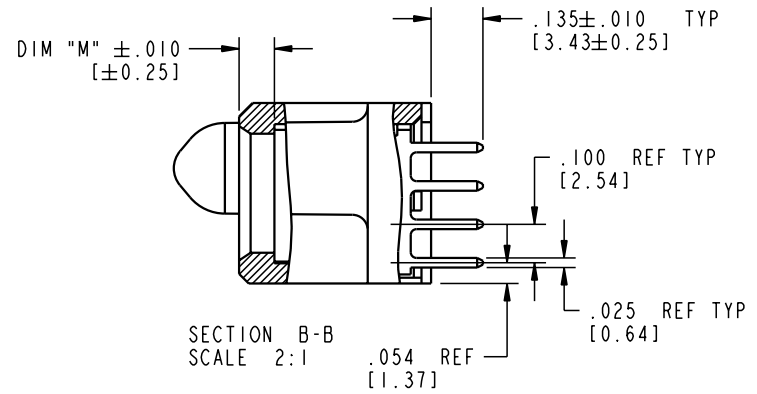
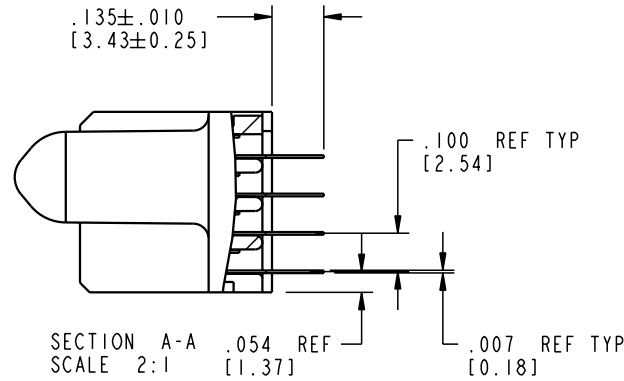
A 51940-048

Pro/E 3 cage code 22526 4

Tous droits strictement réservés. Reproduction ou communication o des tiers interdite sous quelque forme que ce soit sans autorisation écrite du propriétaire. Propriete de c FCI. Droits de reproduction FCI.

All rights strictly reserved. Reproduction or issue to third parties in any form, whatever is not permitted without written authority from the proprietor. Property of FCI. Copyright FCI.

PRODUCT NUMBER
51940-048



mat'l code				SEE NOTE 2		tolerances unless otherwise specified		CUSTOMER		 www.fciconnect.com	
ltr	ecm no.	dr	date	linear	.XX±.01/0.X±0.3		COPY		 title 40S + 6P VERTICAL SOLDER RECEIPT		
A					.XXX±.005/0.XX±0.13		projection		product family PwrBlade code 213		
					.XXX±.0020/0.XXX±0.051		 INCH/MM		size dwg no A 51940-048 sheet 2 of 4		
					° ± °		scale 1:1				
dr				enr	D. INGRAM	06/29/03					
				chr	M. MOSTOLLER	06/29/03					
				appd	M. MOSTOLLER	06/29/03					
sheet index	revision sheet										

Pro/E

cage code 22526

PDM: Rev:A

STATUS: Released

Printed: Dec 20, 2010

Tous droits strictement réservés. Reproduction ou communication o des tiers interdite sous quelque forme que ce soit sans autorisation écrite du propriétaire. Propriete de c FCI. Droits de reproduction FCI.

A
FCI

All rights strictly reserved. Reproduction or issue to third parties in any form whatever is not permitted without written authority from the proprietor. Property of FCI. Copyright FCI.

A

FCI

B

PRODUCT NUMBER
51940-048

2X $\varnothing .098 \pm .003$
[2.49 ± 0.07]
SEE NOTE 8
 $\varnothing .004$ [0.1] X|Y|Z

Z

Y

$\varnothing .040 \pm .003$ TYP
[1.02 ± 0.07]
SEE NOTE 9
 $\varnothing .004$ [0.1] X|Y|Z

.128
[3.25]

.100 TYP
[2.54]

DIM XXX
SEE NOTE 10

1.740 SEE NOTE 11
[44.2]

.250
[6.35]

5X .300
[7.62]

9X .100
[2.54]

SEE NOTE 11
4 SIDES

X

.050 TYP
[1.27]

.100 TYP
[2.54]

3.150
[80.01]

3.480 SEE NOTE 11
[88.39]

.610
[15.49]
SEE NOTE 11

2X .205
[5.21]

PCB LAYOUT
AND DATUM B \varnothing

1 | 2

3

4

mat'l code				SEE NOTE 2		tolerances unless otherwise specified		CUSTOMER		FCI www.fciconnect.com	
ltr	ecn no.	dr	date	linear	.XX ± .01/0.X ± 0.3	projection		COPY		title	
A				angles	.XXX ± .005/0.XX ± 0.13	\varnothing \rightarrow				40S + 6P	
				dr	.XXXX ± .0020/0.XXX ± 0.051	INCH/MM		product family		VERTICAL SOLDER RECEPT	
				enr	0° ± 2°	scale		PwrBlade		code	
				chr		1:1		size		213	
				appd				dwg no		sheet	
sheet index		revision sheet						A 51940-048		3 of 4	

A

FCI

B

1 | 2

3

4

Pro/E

cage code
22526

PDM: Rev:A

STATUS: **Released**

Printed: Dec 20, 2010

Tous droits strictement réservés. Reproduction ou communication o des tiers interdite sous quelque forme que ce soit sans autorisation écrite du propriétaire. Propriete de c FCI. Droits de reproduction FCI.

A
FCI

All rights strictly reserved. Reproduction or issue to third parties in any form, whatever is not permitted without written authority from the proprietor. Property of FCI. Copyright FCI.

B

PRODUCT NUMBER

51940-048

NOTES:

1. DIMENSIONS AND TOLERANCES ARE IN ACCORDANCE WITH ASME Y14.5M, 1994 UNLESS OTHERWISE SPECIFIED.

CONNECTOR NOTES:

2 HOUSING MATERIAL: UL 94 V-0 GLASS FILLED

HIGH-TEMP THERMOPLASTIC
POWER CONTACT MATERIAL: COPPER ALLOY
SIGNAL PIN MATERIAL: COPPER ALLOY

3. PLATING:

SIGNAL PINS: 30u"/0.76um Au OVER 50u"/1.27um Ni
POWER CONTACTS: 50u"/1.27um Ni UNDER ALL
WITH 30u"/0.76um Au ON CONTACT AREA
AND SnPb ON PCB INTERFACE

4 MANUFACTURER'S NAME, P/N, AND DATE CODE TO APPEAR ON THIS SURFACE.

5. PRODUCT SPECIFICATION GS-12-149.
APPLICATION SPECIFICATION BUS-20-067.

6. PACKAGED IN TRAYS.

PCB NOTES:


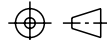
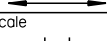
7. ALL HOLE DIAMETERS ARE FINISHED HOLE SIZE.

8 MOUNTING HOLES, WHERE APPLICABLE, ARE UNPLATED.

9 $\varnothing .0453 \pm .0010$ [1.151 \pm 0.025] DRILLED HOLES PLATED WITH
.0003 [0.008] MIN SnPb OVER .001 [0.03]
TO .003 [0.08] Cu PLATING TO ACHIEVE
 $\varnothing .040 \pm .003$ [1.02 \pm .07] HOLE.

10 "DIM XXX" TO BE DETERMINED BY THE CUSTOMER.

11 CONNECTOR KEEP-OUT ZONE.

mat'l code				SEE NOTE 2		tolerances unless otherwise specified		CUSTOMER		 www.fciconnect.com	
ltr	ecn no.	dr	date	linear	.XX±.01/0.X±0.3		COPY		title		
A					.XXX±.005/0.XX±0.13		projection		40S + 6P		
				angles	.XXX±.0020/0.XXX±0.051				VERTICAL SOLDER RECEPT		
				dr	D. INGRAM	06/29/03	INCH/MM		product family		code
				enr	M. MOSTOLLER	06/29/03			PwrBlade		213
				chr	M. MOSTOLLER	06/29/03	scale		size		sheet
				appd	M. MOSTOLLER	06/29/03	1:1		A 51940-048		4 of 4
sheet index		revision sheet									

A

B

1 | 2

3 |

4

1 | 2

Pro/E

3 |

cage code 22526

4

PDM: Rev:A

STATUS: **Released**

Printed: Dec 20, 2010