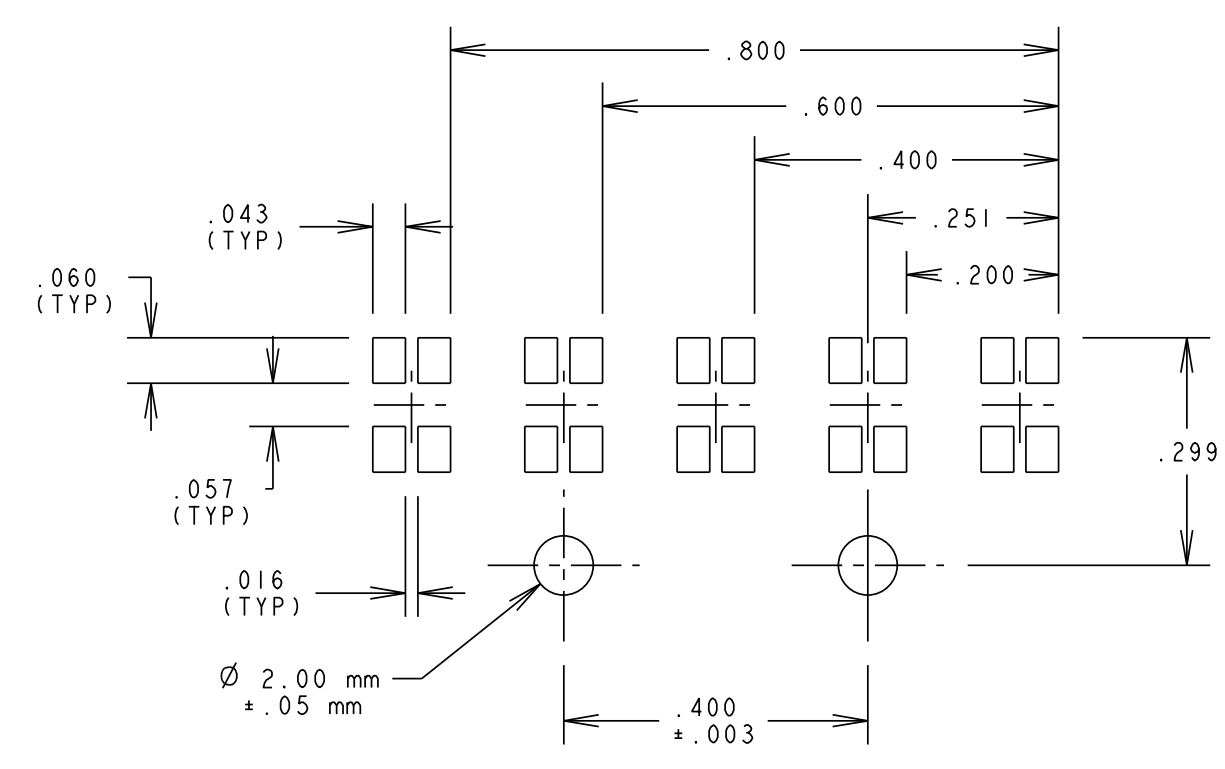
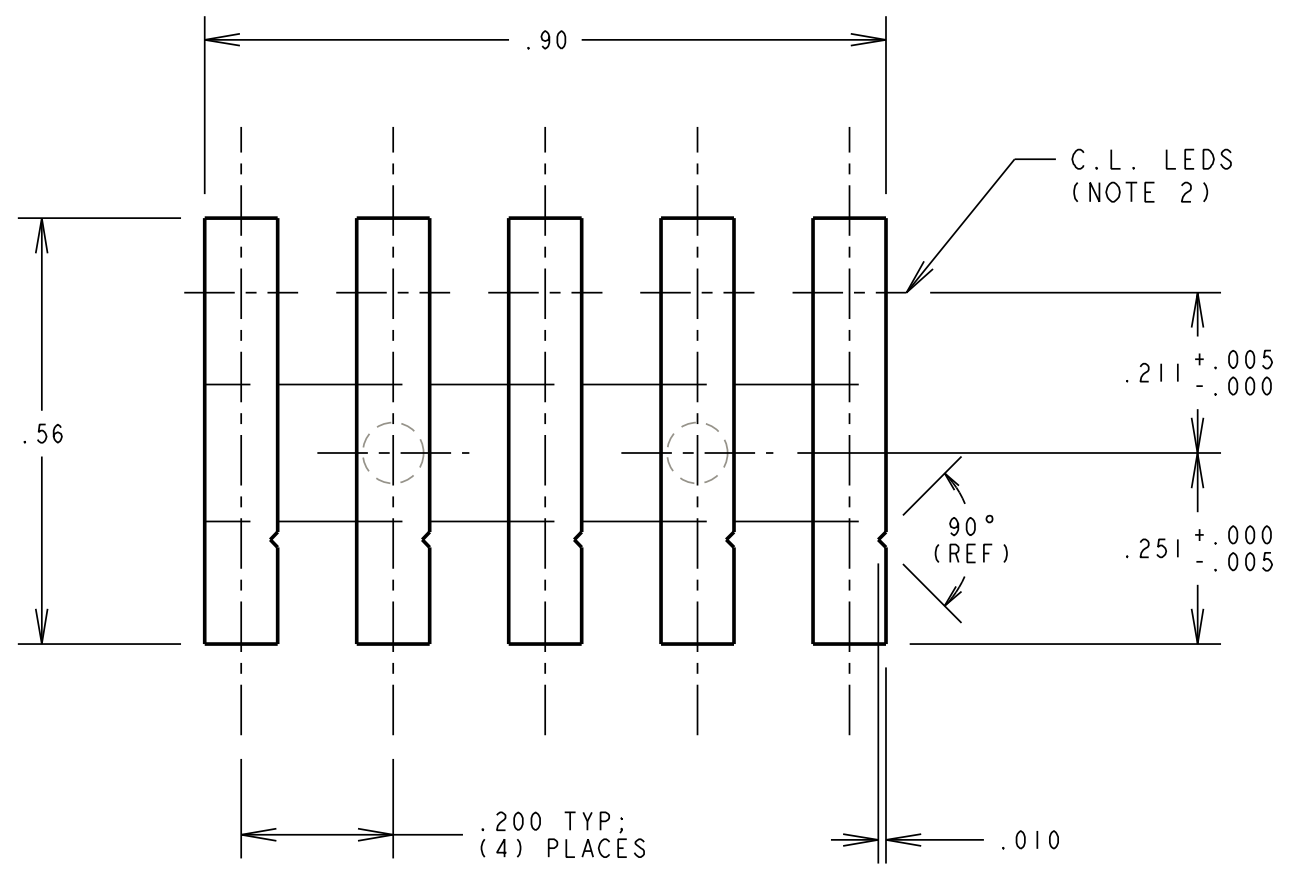
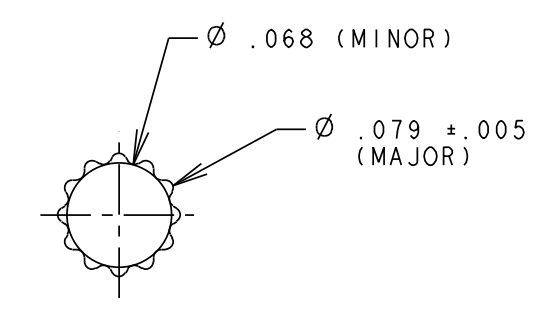
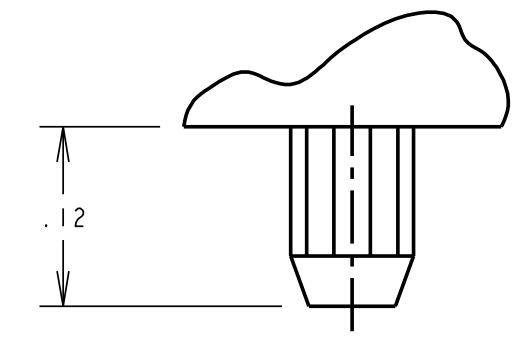


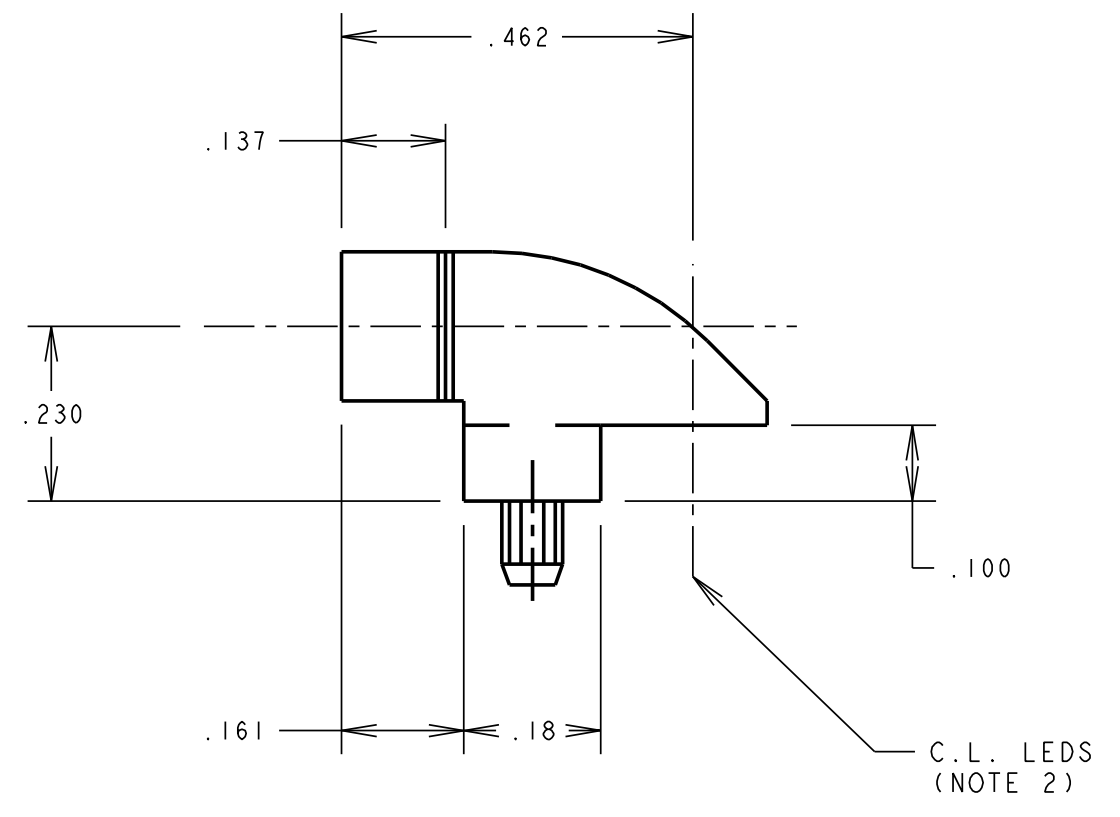
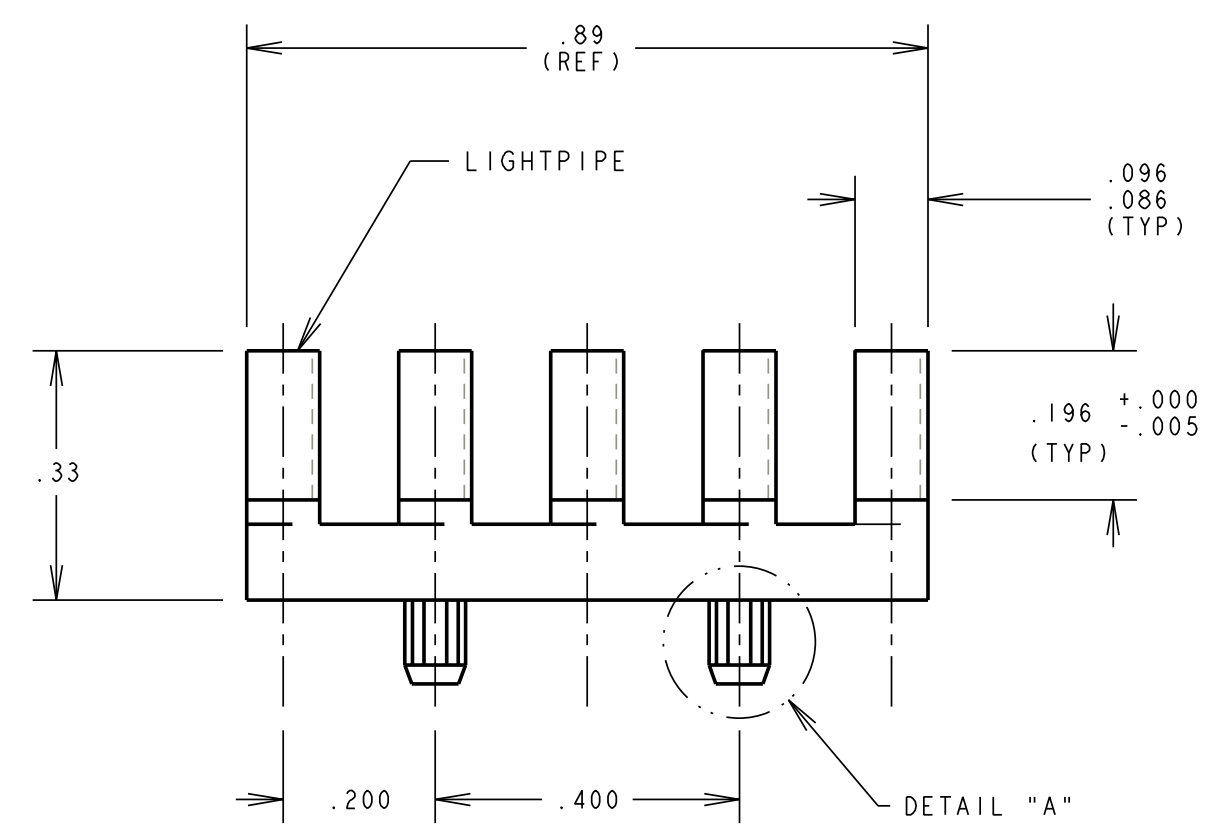
REV.	ECN NO.	REVISIONS	DRN.	CKD.	APP.	DATE
A		NEW RELEASE	MC		M.C.	9-2-94
B		.096 / .086 (TYP) WAS .096 ± .000 .005 AND .89 (REF) WAS .90 (REF)	MC		M.C.	9-23-99



RECOMMENDED SOLDER PAD & HOLES LAYOUT



DETAIL "A"



- NOTES:
1. COMPONENT TO BE MOLDED IN A CLEAR TRANSMISSIVE POLYCARBONATE.
 2. RECOMMENDED POSITION OF LED.
 3. A "V" GROOVE WILL ALLOW FOR REMOVAL OF FRONT PORTION OF PIPES.
 4. DIALIGHT PART NO. 515-1029.

THIS DRAWING AND THE CONTENTS HEREIN ARE CONFIDENTIAL AND THE SOLE PROPERTY OF DIALIGHT. REPRODUCTION OF THIS DRAWING OR CONSTRUCTION OF ANY PARTS WITHIN THIS DRAWING ARE FORBIDDEN WITHOUT THE WRITTEN CONSENT OF DIALIGHT.		
SCALE: 4:1	DRAWING NUMBER	REV
ALL DIM'S IN: INCHES (MM)	C-15900	B
TOLERANCES: UNLESS OTHERWISE SPECIFIED	TITLE 5-ELEMENT LIGHTPIPE	
FRACTIONS: ±1/64	MATERIAL	
DECIMALS (.XX): ±.01	Dialight 1501 ROUTE 34 SOUTH FARMINGDALE, NJ 07727	
DECIMALS (.XXX): ±.007	SHEET OF FAMILY TABLES:	
ANGLES: ±1°	FSCM 83330	
FINISH:		