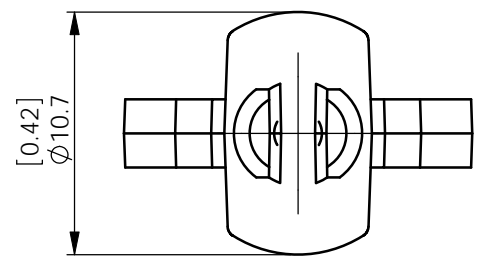


REV.	MODIFICATION.	DATE	DRN
01	Production release	16/03/10	MT



TO SNAP LOCK INTO A $\phi 4.8$ [.189] HOLE
IN A 1.6mm[.063] PANEL THICKNESS

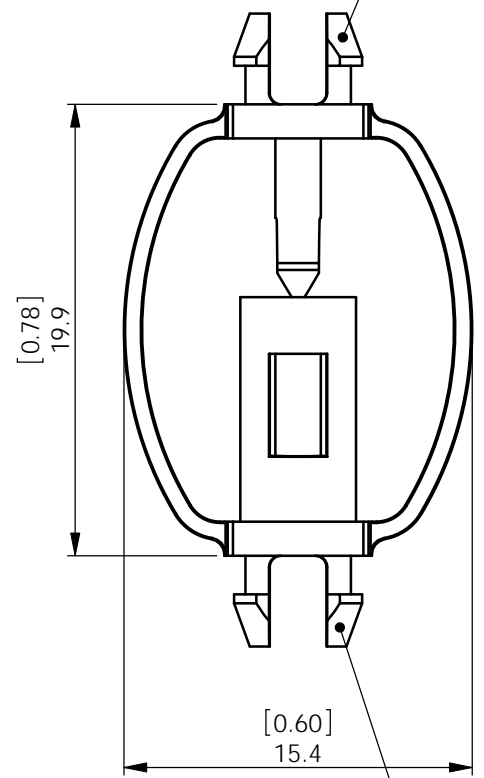


FIG 1

TO SNAP LOCK INTO A $\phi 4.8$ [.189] HOLE
IN A 1.6mm[.063] PANEL THICKNESS

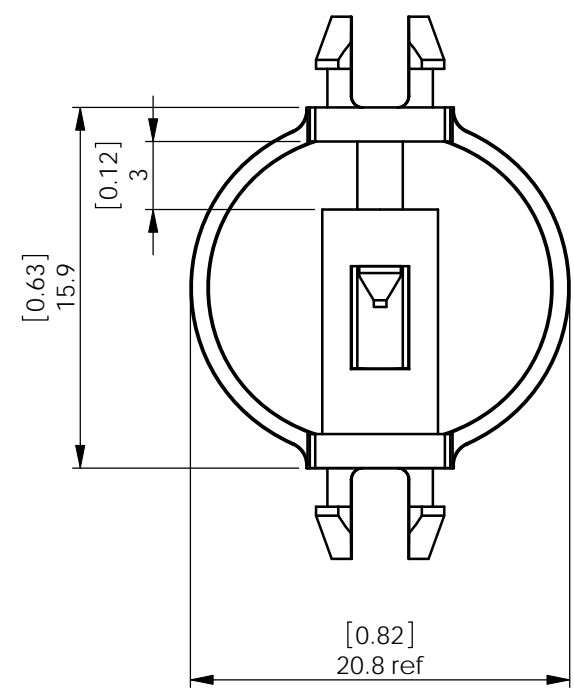


FIG 2

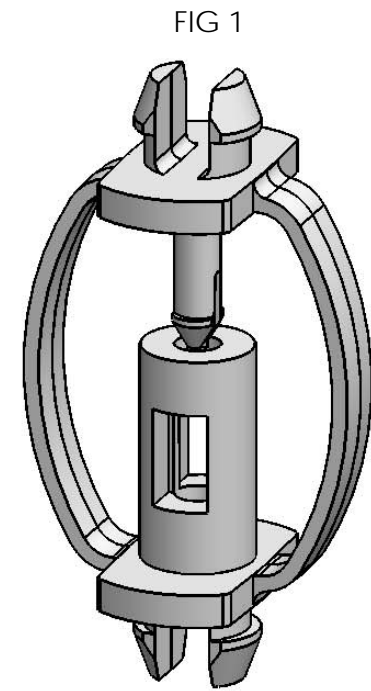


FIG 1

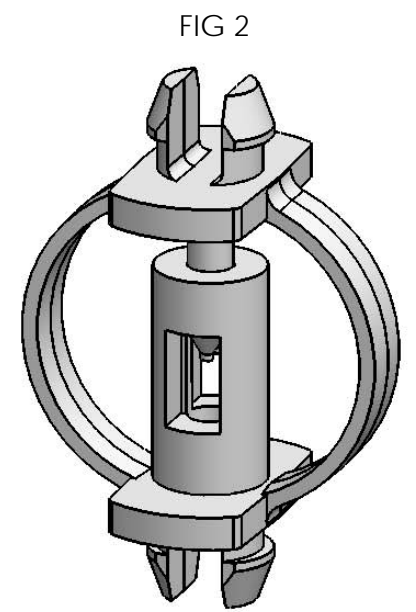


FIG 2

NOTE: PARTS ARE SUPPLIED AS PER FIG 1

<p>INFORMATION CONTAINED IN THIS DOCUMENT IS CONFIDENTIAL TO RICHCO INTERNATIONAL Co. Ltd. AND MAY NOT BE DISCLOSED OR REPRODUCED IN WHOLE OR PART WITHOUT THEIR WRITTEN CONSENT.</p>					
<p>RICHCO, INC. WWW.RICHCO-INC.COM</p>			<p>METRIC PRIMARY UNITS:mm IMPERIAL SECONDARY UNITS:[inches] GENERAL TOLERANCES ± 0.25 [0.010] UNLESS OTHERWISE STATED 1 DECIMAL PLACE \pm 2 DECIMAL PLACES \pm ANGULAR $\pm 1^\circ$</p>		<p>THIRD ANGLE</p>
<p>MATERIAL: ACETAL (RMS-061)</p>			<p>COLOUR: NATURAL</p>		
<p>DESCRIPTION: SPRUNG SPACER</p>			<p>PART No: CBSP-1</p>		
<p>DRG No: 010-019</p>		<p>NPR No: GB08-0052</p>		<p>Mass:(g) 0.55</p>	<p>SHEET SIZE A4</p>
<p>DRN MT</p>	<p>DATE 19/09/08</p>	<p>CHKD MT</p>	<p>DATE 16/03/10</p>	<p>SCALE NTS</p>	<p>SHEET No. 1 OF 1</p>