

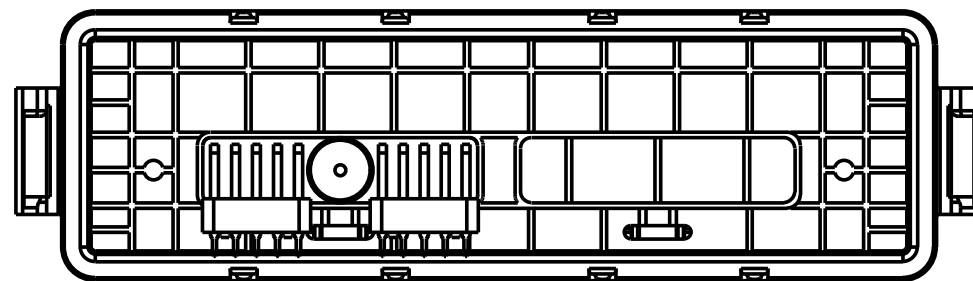
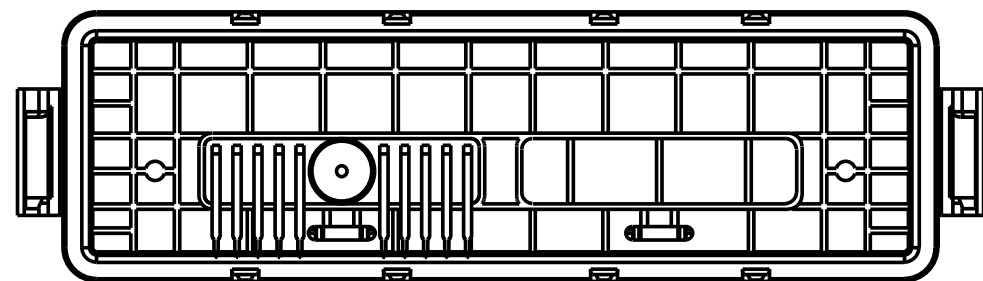
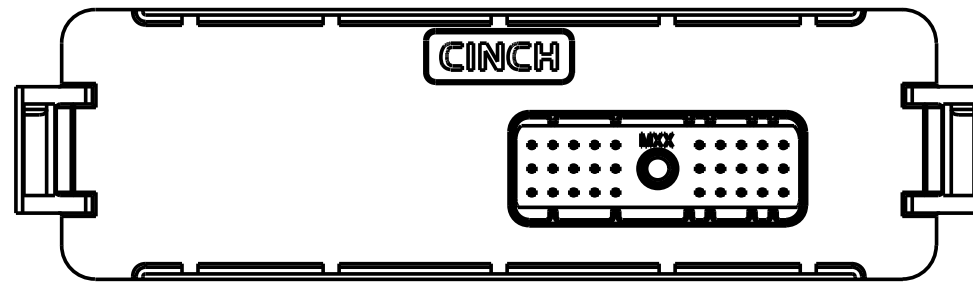
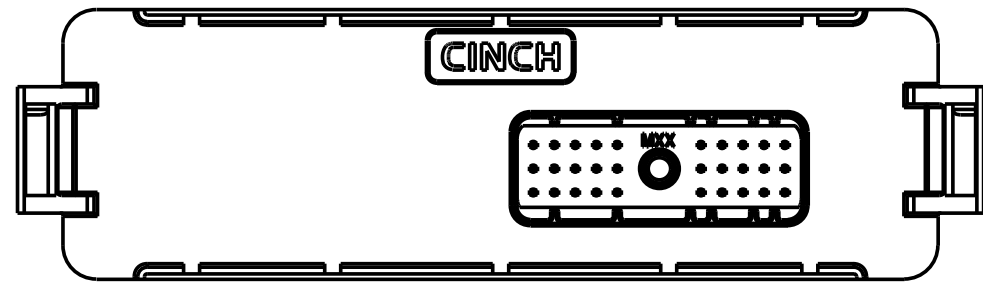
CINCH PART NUMBER MATRIX

P/N: 581 01 30 045

P/N: 581 01 30 051

30-WAY HEADER ASSEMBLY WITH OUT FERRITE FILTERS

30-WAY HEADER ASSEMBLY WITH FERRITE FILTERS



MATES WITH CINCH HARNESS CONNECTORS P/N:
581 01 30 029 (30-WAY)

NOTE:

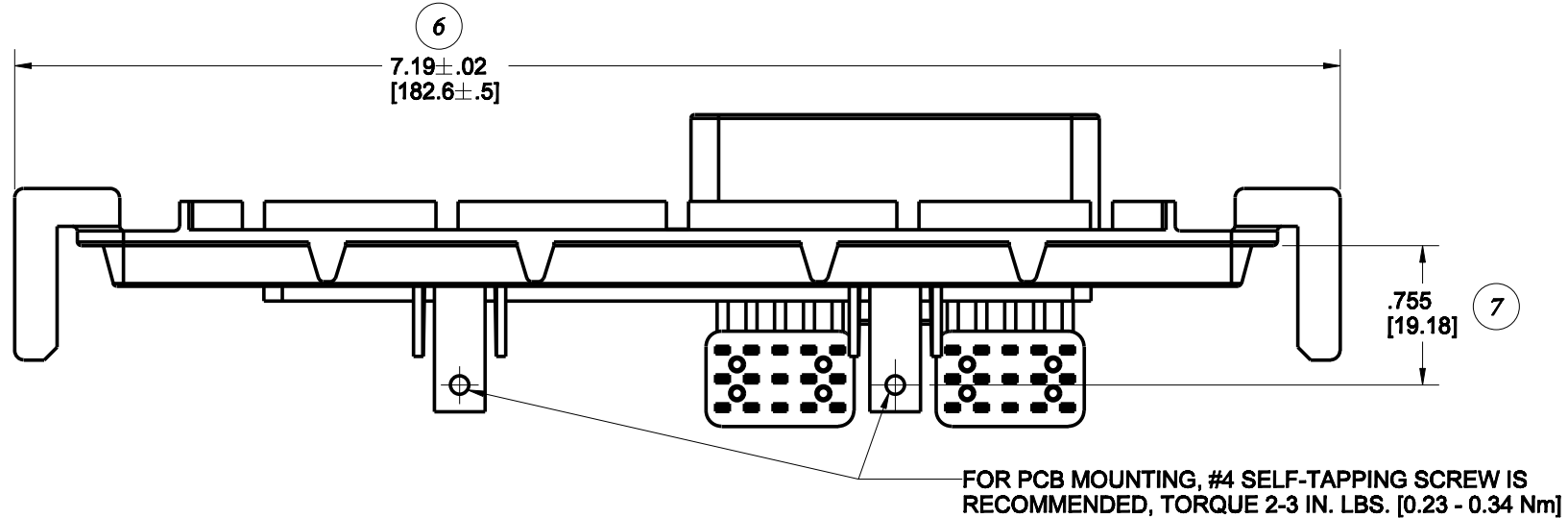
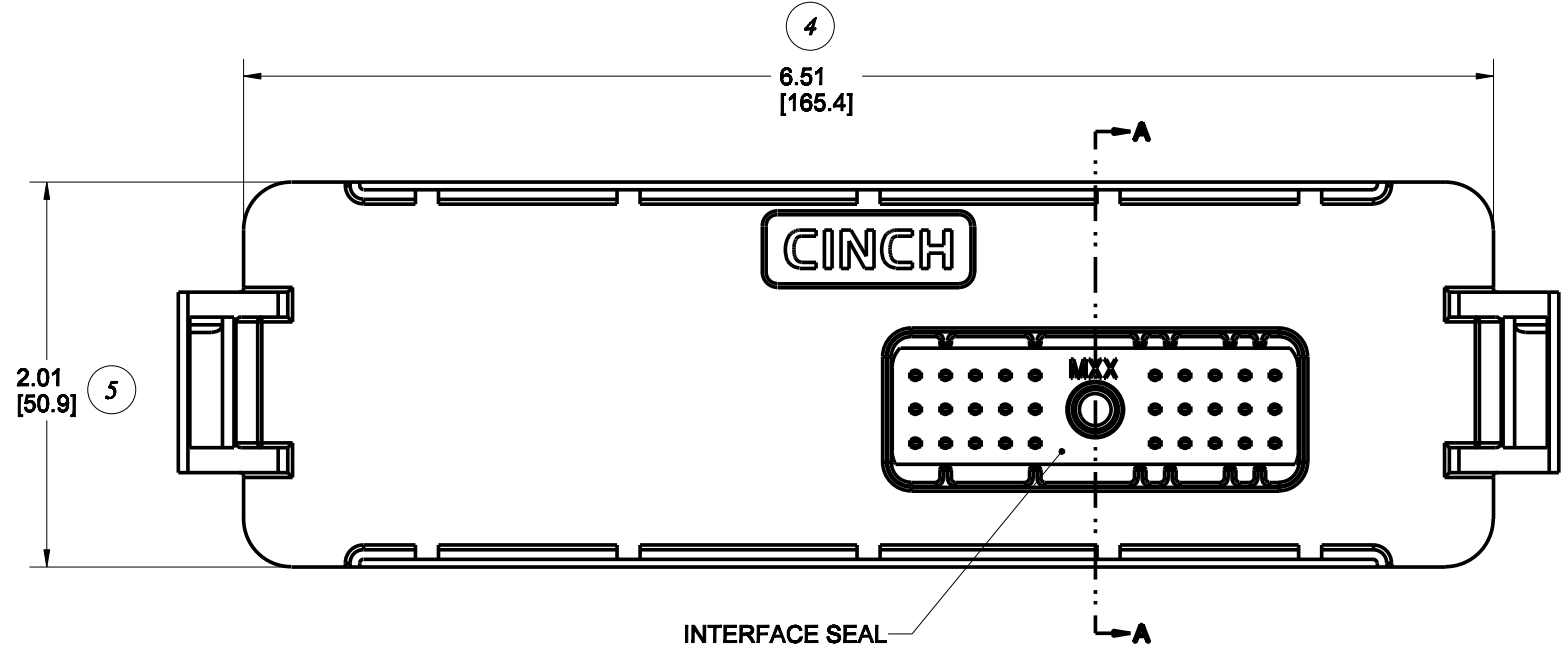
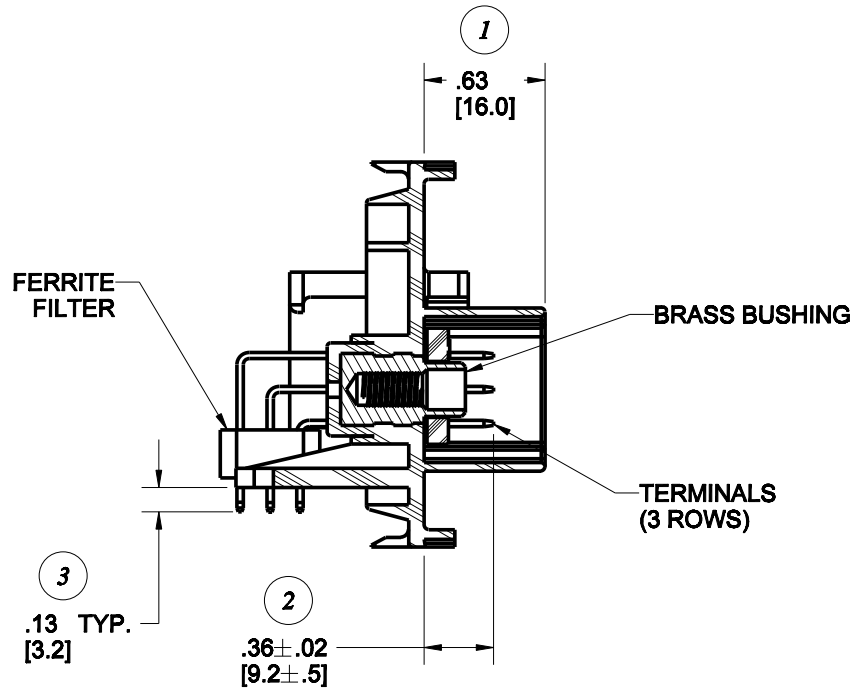
1. ALL DIMENSIONS ARE IN INCHES;
DIMENSIONS INSIDE [.XX] ARE IN mm, AS REF. ONLY.
2. MATERIALS:
INTERFACE SEAL: SILICONE RUBBER, COLOR BLUE;
INSULATOR: 30 % GLASS FILLED POLYMER, COLOR BLACK;
BUSHING: BRASS ALLOY, UNPLATED 10-24 UNC THREAD;
TERMINAL BLADE: 1.5 mm BRASS WITH TIN OVER NICKEL PLATING;
FILTERS: FERRITE BLOCKS.
3. ALL HEADERS ARE REFLOW OR WAVE SOLDERING PROCESS, ROHS COMPLIANT.
4. MATES WITH CINCH SHS PUSH-TO-SEAT HARNESS CONNECTORS (SEE TABLE ABOVE).
5. THERMALLY CONDUCTIVE ADHESIVE PASTE SOLD SEPARATELY: RECOMMENDED IS LOCTITE 383.
6. MOSFET SPRING PLATES ARE SOLD SEPARATELY (FOR INSTALLATION REFER TO ENCLOSURE ASSEMBLY INSTRUCTIONS)
SPRING LABELED AS "L" IS CINCH P/N: 581 00 00 020 AND SPRING LABELED AS "R" IS CINCH P/N: 581 00 00 021.
(IT IS RECOMMENDED THAT THE 4 SLOTS BE PROTECTED DURING CONFORMAL COATING)
7. STANDARD PACKAGE SIZE: 36 PARTS/CARTON BOX.

DRAWING REVISIONS

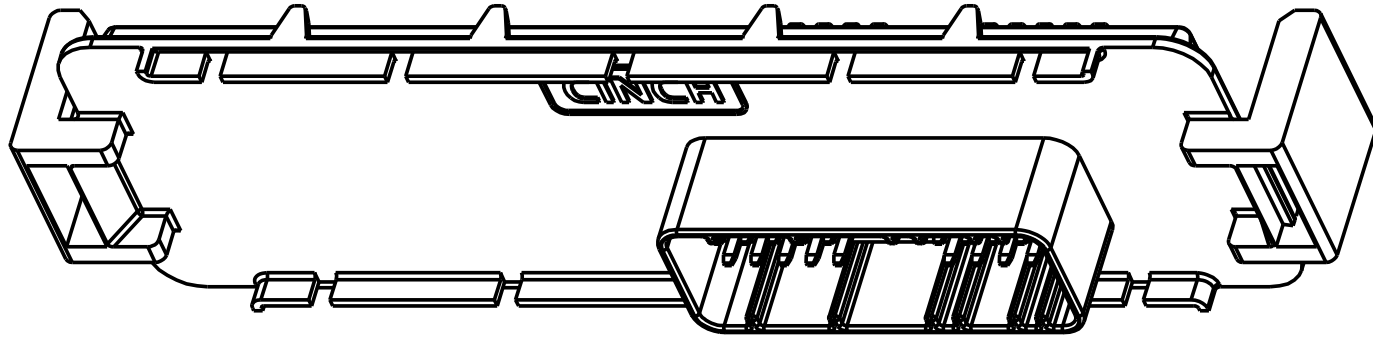
REV	DOCUMENT	APP	DATE
A	D.O. 05-1217 REL. FOR PRODUCTION	A.C.	9/9/05
B	ECN: 06A069 ADDED SHEET 5 ADDED SHEET 6 MODIFIED SHEET 3 MODIFIED SHEET 4	A.C.	3/24/06
C	ECN: 06A479 REFORMATTED DRAWING PCB LAYOUTS REDRAWN WITH ADDITIONAL KEEP OUT AREAS	A.C.	1/22/07

RoHS COMPLIANT

UNITS	ENGLISH	PRO/E	MODELED BY:
DO NOT SCALE DRAWING		DATE	1700 FINLEY RD LOMBARD, IL. 60148
UNLESS OTHERWISE SPECIFIED: ALL DIMENSIONS ARE IN INCHES	DESIGN BY B. KOSTIC	9/02/05	TITLE 30-WAY HEADERS LE MODICE
FILLET/RADII .02 MAX	DESIGN ENGINEER B. KOSTIC	9/02/05	MATERIAL
TOLERANCES AND LIMITS APPLY OVER ADDITIVE FINISH	DESIGN ENGINEERING MGR. A. CAINES	9/5/05	MATERIAL SPEC NUMBER
TOLERANCES X ± .1 XX ± .01 XXX ± .005 ANGULAR ± .5°	MFG. ENGINEERING R. GARZA	9/15/05	FINISH
THIS DOCUMENT IS THE PROPERTY OF CINCH. NEITHER THIS DOCUMENT NOR ANY OF THE INFORMATION CONTAINED IN IT MAY BE DUPLICATED OR DISCLOSED WITHOUT PRIOR WRITTEN CONSENT OF CINCH.	QUALITY ASSURANCE D. DE LA PENA	9/15/05	PROJECT NUMBER A 14562
		CAD FILE NUMBER 5810130045	DRAWING NUMBER 581 01 30 045S
		CAGE IDENT NO. 71785	SCALE 7:10
		SIZE B	SHEET 1 OF 6



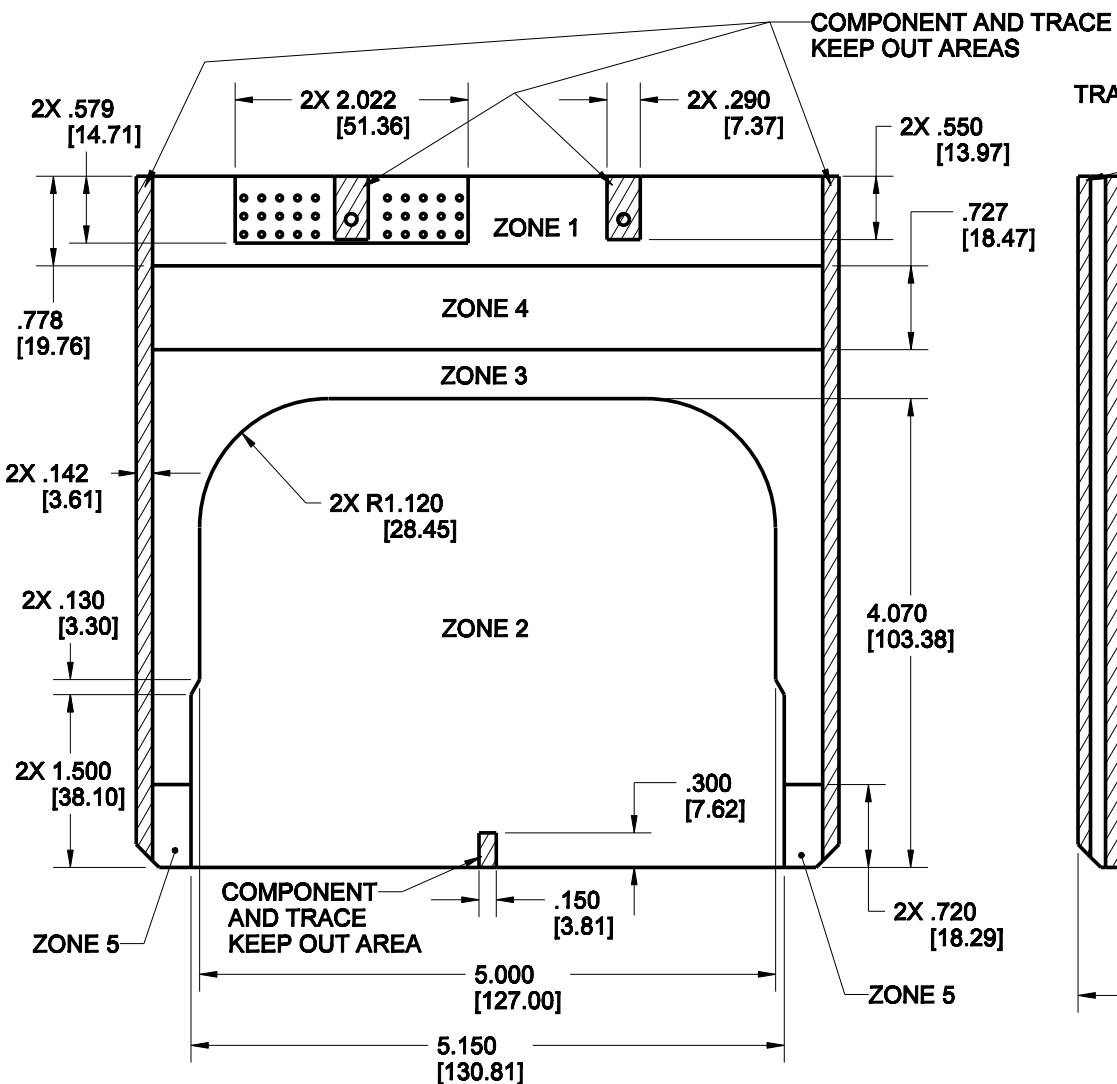
CINCH P/N: 581 01 30 051 SHOWN
(HEADER WITH FILTERS)



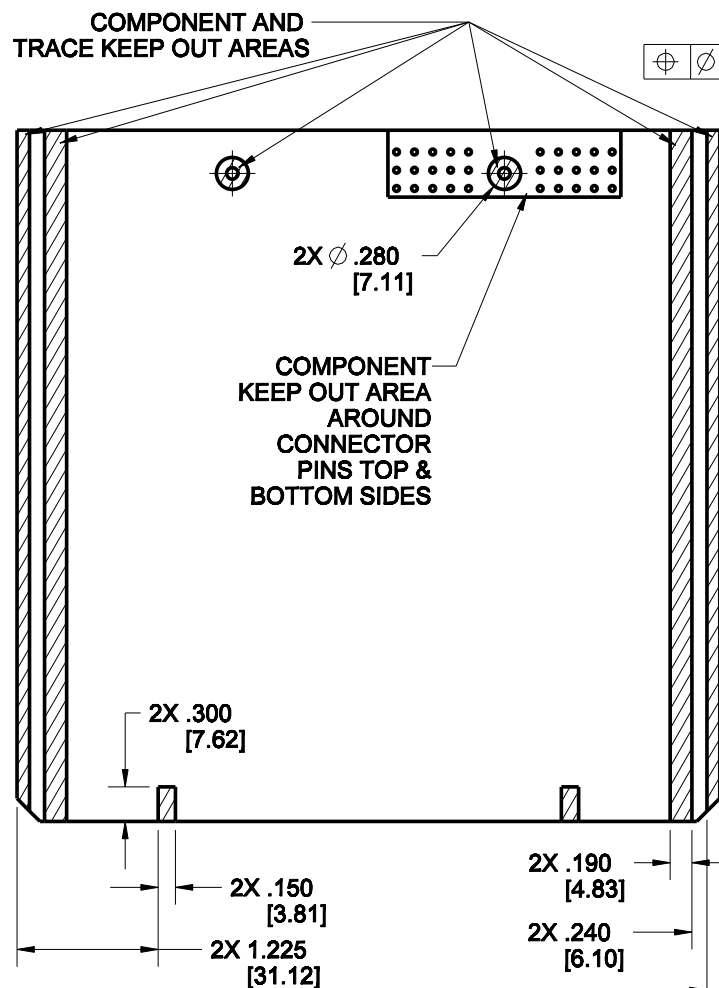
UNITS ENGLISH		Cinch		1700 FINLEY RD LOMBARD, IL 60148	
DO NOT SCALE DRAWING		TITLE 30-WAY HEADERS LE MODICE			
UNLESS OTHERWISE SPECIFIED: ALL DIMENSIONS ARE IN INCHES		PRO/E DRAWING			
FILLET/RADI .02 MAX	TOLERANCES X ± .1 .XX ± .01 .XXX ± .005 ANGULAR ± .5	CAD FILE NUMBER 5810130045	DRAWING NUMBER 581 01 30 045S		REV C
THIS DOCUMENT IS THE PROPERTY OF CINCH. NEITHER THIS DOCUMENT NOR ANY OF THE INFORMATION CONTAINED IN IT MAY BE DUPLICATED OR DISCLOSED WITHOUT PRIOR WRITTEN CONSENT OF CINCH.		CAGE IDENT NO. 71785	SIZE B	SCALE 1:1	SHEET 2 OF 6

PCB LAY-OUT WITHOUT HEAT SINKS

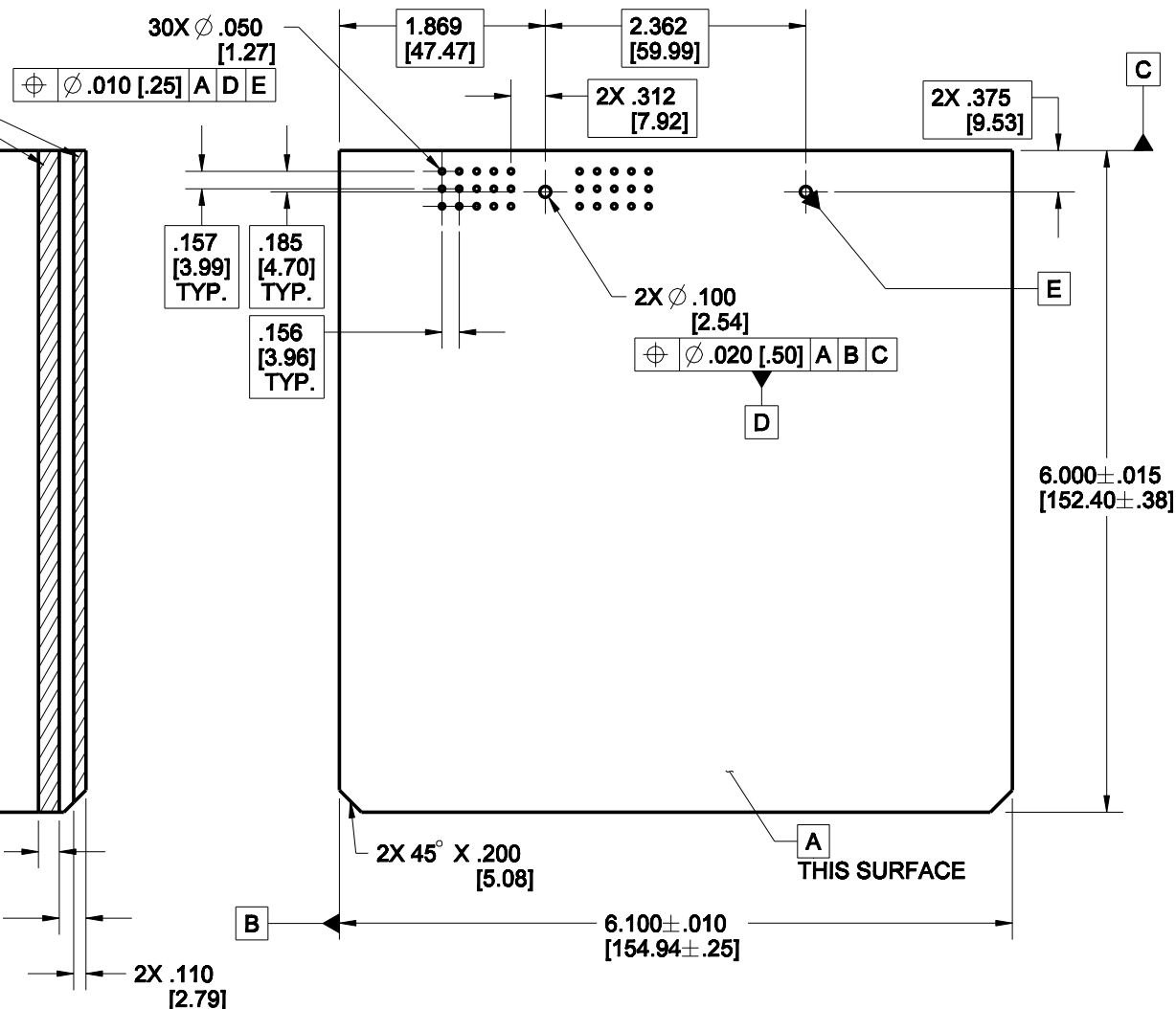
PCB TOP SIDE GENERAL ZONING & KEEP OUT AREAS



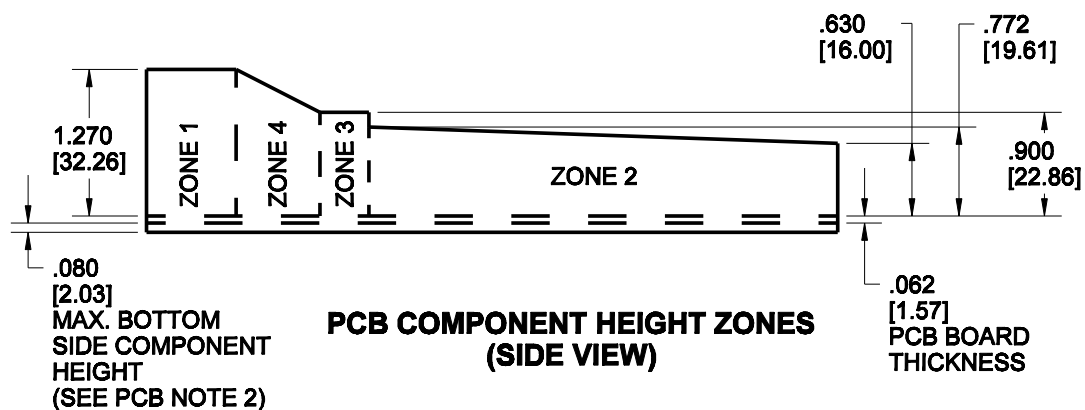
PCB BOTTOM SIDE GENERAL ZONING & KEEP OUT AREAS



PCB OVERALL DIMENSIONS AND HOLE LOCATIONS



PCB COMPONENT HEIGHT ZONES (SIDE VIEW)



PCB COMPONENTS HEIGHT LIMIT

	ZONE 1	ZONE 2	ZONE 3	ZONE 4	ZONE 5
MAX. HEIGHT FOR COMPONENTS (ABOVE PCB)	1.270"	SEE PCB NOTE 3	.900"	SEE PCB NOTE 3	.420"

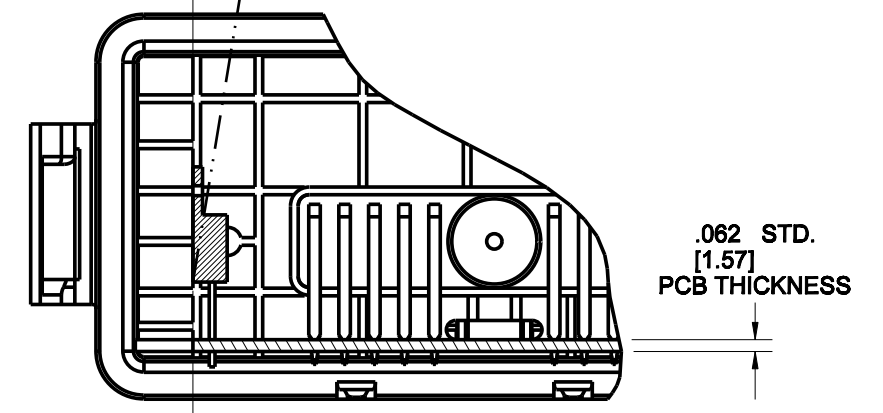
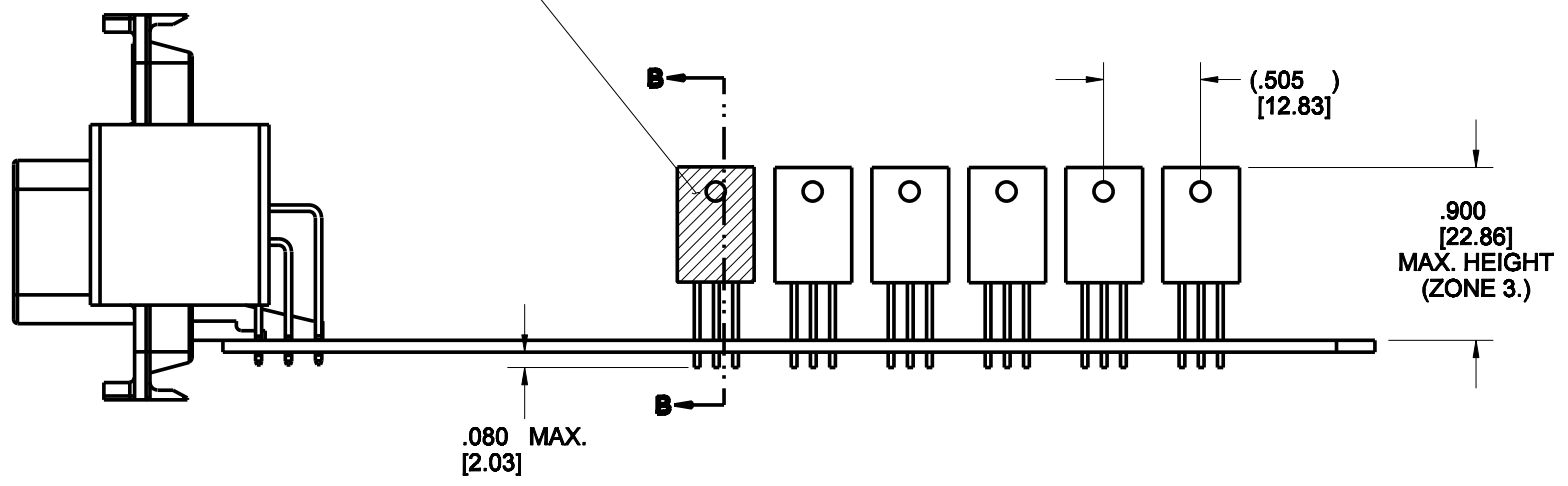
PCB NOTES:

- ON BOTTOM SIDE OF THE PCB, COMPONENTS OR TRACES MUST BE MIN. .100" AWAY FROM THE EDGE OF THE PCB.
- THE BOTTOM SIDE OF THE PCB SHOULD NOT HAVE COMPONENTS OR LEADS THAT EXTEND HIGHER THAN .080" (SEE PG. 6 SIDE VIEW).
- AREA HAS VARIABLE HEIGHT. SEE PCB COMPONENT HEIGHT ZONES VIEW FOR DETAILS.

UNITS	ENGLISH		Cinch		1700 FINLEY RD LOMBARD, IL. 60148	
DO NOT SCALE DRAWING					TITLE	
UNLESS OTHERWISE SPECIFIED: ALL DIMENSIONS ARE IN INCHES			PRO/E DRAWING			
FILLET/RADI .02 MAX			TOLERANCES		CAGE IDENT NO.	
TOLERANCES AND LIMITS APPLY OVER ADDITIVE FINISH			X \pm .1 .XX \pm .01 .XXX \pm .005 ANGULAR \pm .5		5810130045	
THIS DOCUMENT IS THE PROPERTY OF CINCH. NEITHER THIS DOCUMENT NOR ANY OF THE INFORMATION CONTAINED IN IT MAY BE DUPLICATED OR DISCLOSED WITHOUT PRIOR WRITTEN CONSENT OF CINCH.			DRAWING NUMBER		REV	
			5810130045		581 01 30 045S	
			SCALE		SHEET 3 OF 6	
			71785		B	
			3:5			

APPLY THIN BEAD OF THERMALLY CONDUCTIVE ADHESIVE PASTE TO ENTIRE SURFACE OF EVERY MOSFET (SEE NOTE 5.)

FOR EASE OF ASSEMBLY IT IS RECOMMENDED THAT MOSFET(S) BE TILTED UP TO 10° IN POSITIVE DIRECTION (SEE DOTTED LINE)



**SIDE VIEW
REQUIRED TO-220 PACKAGE PROFILE**

SECTION B-B

UNITS ENGLISH		Cinch 1700 FINLEY RD LOMBARD, IL 60148		
DO NOT SCALE DRAWING				
UNLESS OTHERWISE SPECIFIED: ALL DIMENSIONS ARE IN INCHES		TITLE 30-WAY HEADERS LE MODICE		
FILLET/RADI .02 MAX TOLERANCES X ± .1 .XX ± .01 .XXX ± .005 TOLERANCES AND LIMITS APPLY OVER ADDITIVE FINISH ANGULAR ± .5		PRO/E DRAWING		
THIS DOCUMENT IS THE PROPERTY OF CINCH. NEITHER THIS DOCUMENT NOR ANY OF THE INFORMATION CONTAINED IN IT MAY BE DUPLICATED OR DISCLOSED WITHOUT PRIOR WRITTEN CONSENT OF CINCH.		CAD FILE NUMBER 5810130045	DRAWING NUMBER 581 01 30 045S	REV C
CAGE IDENT NO. 71785	SIZE B	SCALE 1:1	SHEET 6 OF 6	