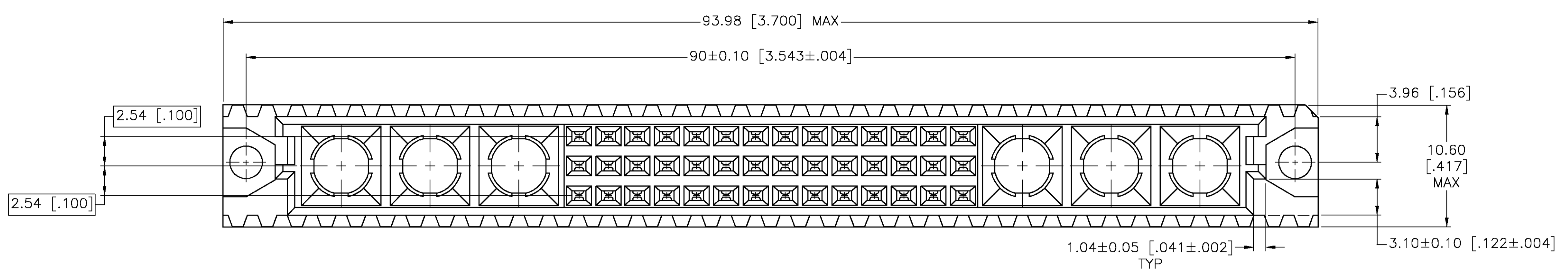
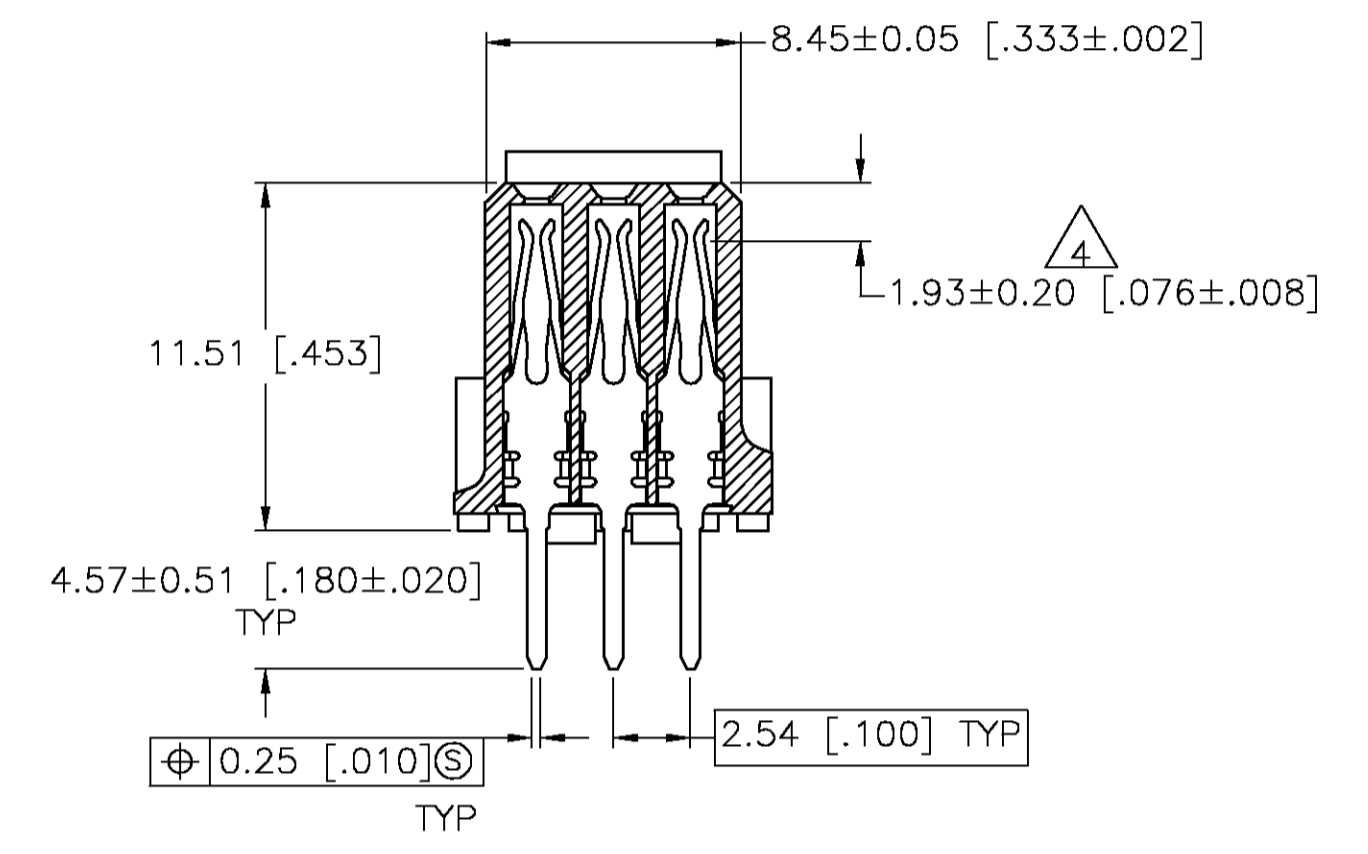
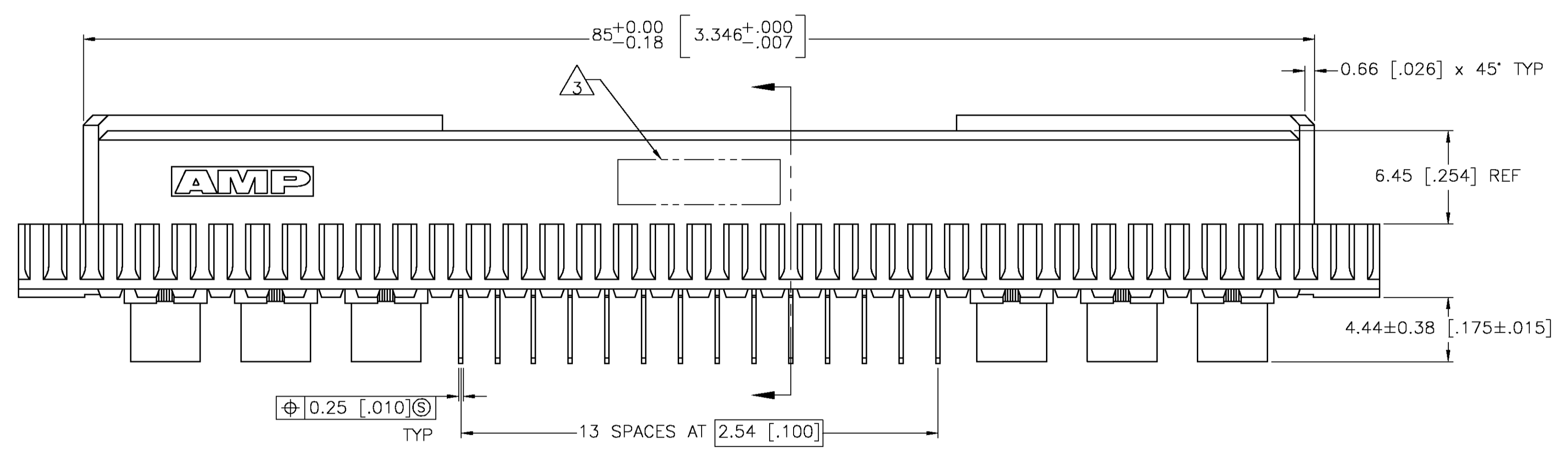


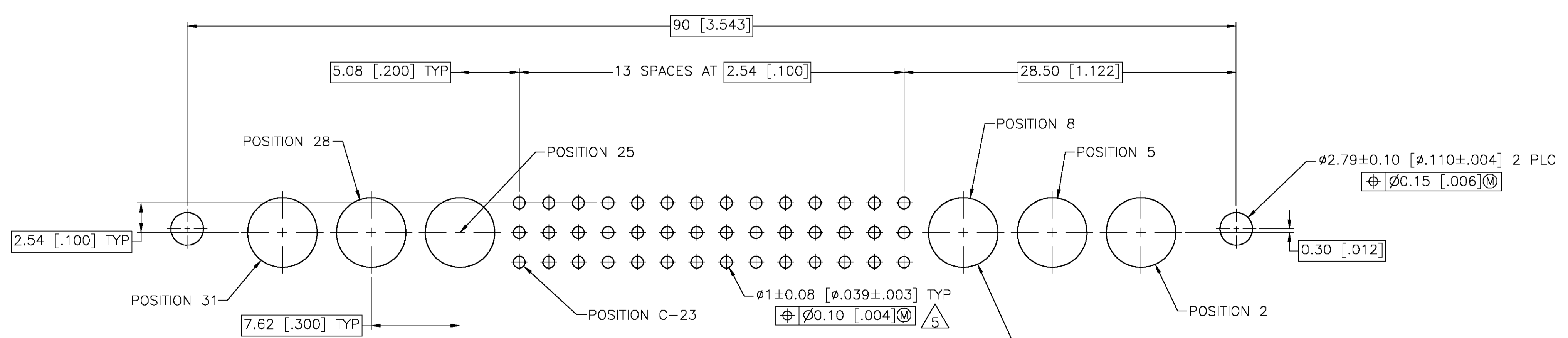
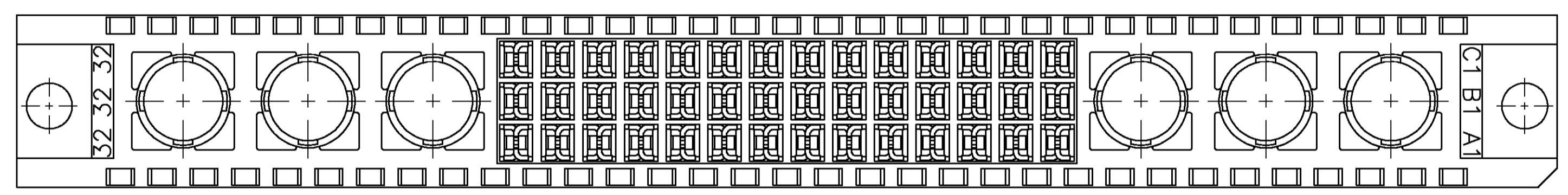
LOC		DIST		REVISIONS			
P	LR	DESCRIPTION	DATE	DN	APD		
O	REV PER EC	OS12-0251-04	17MAY04	NK	AS		



- 1 HOUSING: GLASS-FILLED POLYESTER, GRAY.
SIGNAL CONTACT: PHOSPHOR BRONZE.
POWER CONTACT: COPPER ALLOY.
- 2 SIGNAL CONTACT: DIN 41612 CLASS 1 IN CONTACT AREA.
TIN-LEAD ON TAILS.
POWER CONTACT: DIN 41612 CLASS 1 IN CONTACT AREA.
- 3 PART NUMBER, DATE CODE IDENTIFICATION, CSA LOGO HOT STAMPED THIS APPROXIMATE AREA. OPPOSITE SIDE SHOWN.
- 4 CONTACT POINT, SIGNAL CONTACT.
- 5 RECOMMENDED HOLE SIZE FOR MANUAL APPLICATION OF CONNECTOR ONTO PC BOARD.



POWER CONTACT REMOVED FOR CLARITY



PC BOARD LAYOUT

148686-1
PART NUMBER

THIS DRAWING IS A CONTROLLED DOCUMENT.		DIN 9 CARBO 23FEB04		Tyco Electronics Corporation Harrisburg, Pa 17105-3608			
DIMENSIONS: mm [INCHES]		GIK A SHARPE 23FEB04		APD A SHARPE 23FEB04 NAME RECEPTACLE ASSEMBLY, EUROCARD, TYPE M, 42 + 6			
TOLERANCES UNLESS OTHERWISE SPECIFIED:		APPLICATION SPEC		SIZE	CAGE CODE	DRAWING NO	RESTRICTED TO
0 PLC	± -	PRODUCT SPEC		WEIGHT	A1	00779	148686
1 PLC	± -	MATERIAL		CUSTOMER DRAWING	SCALE	4:1	SHEET 1 OF 1
2 PLC	± -	FINISH					REV 0
3 PLC	± 0.13[.005]						
4 PLC	± -						
ANGLES	± -						