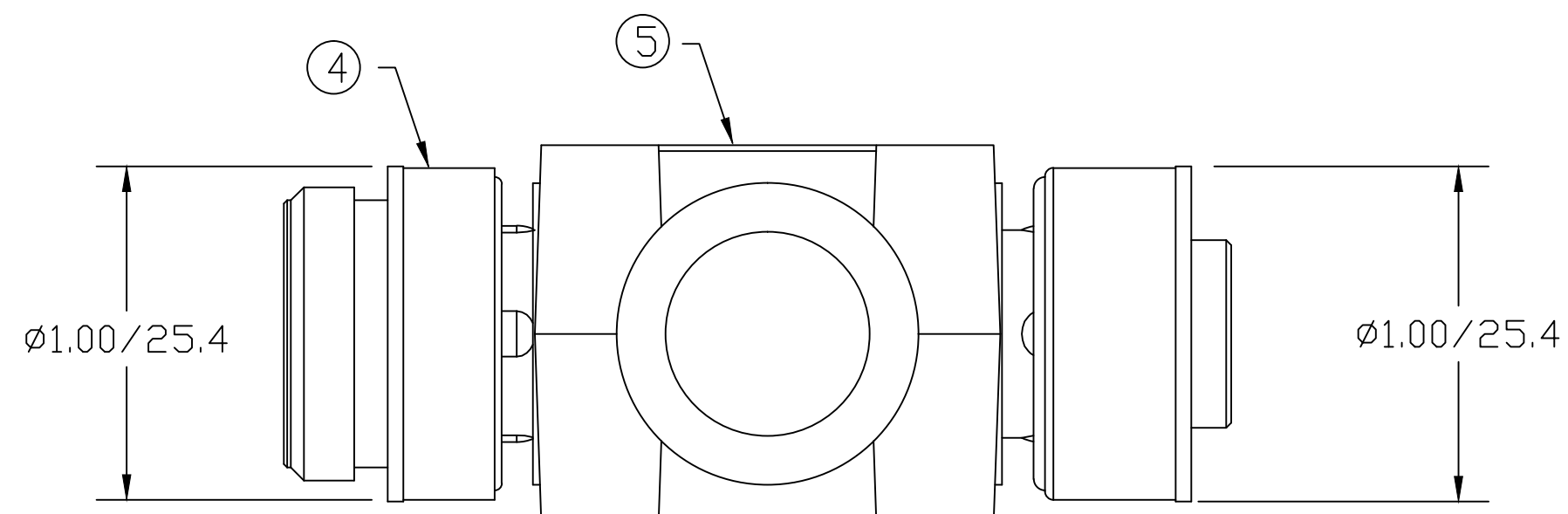
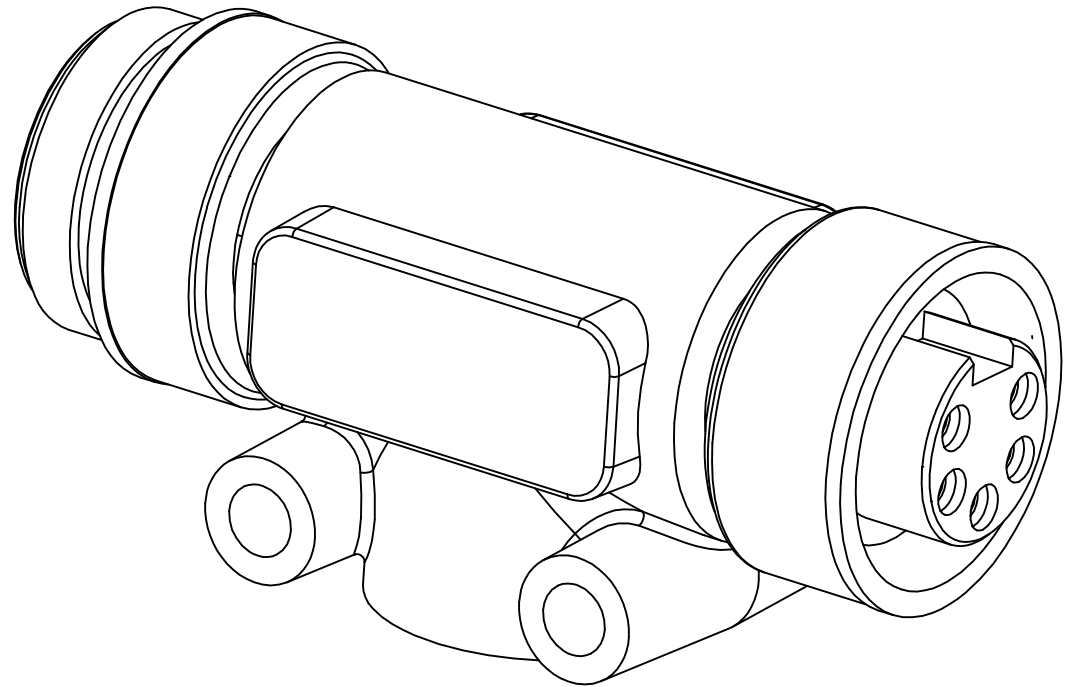
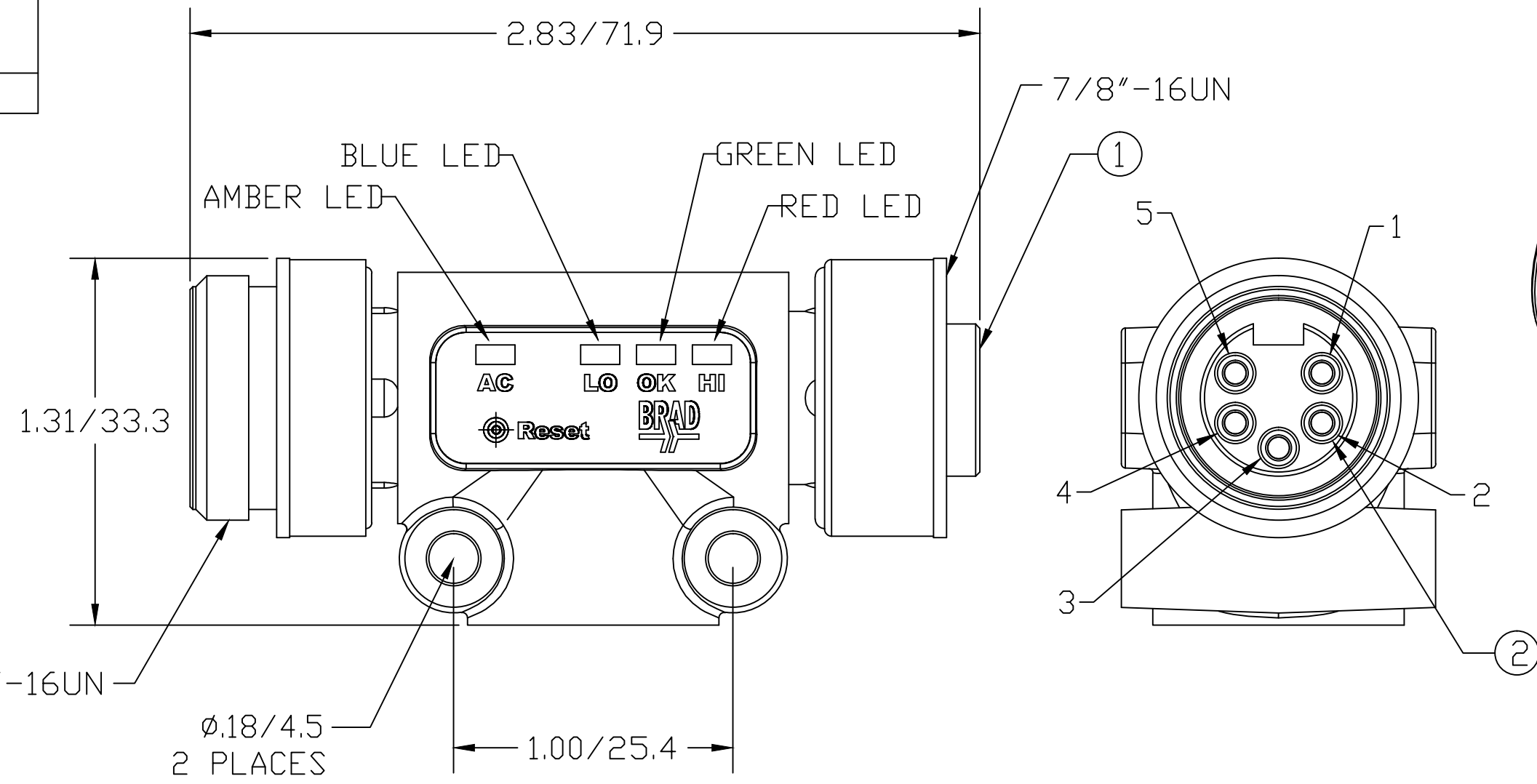
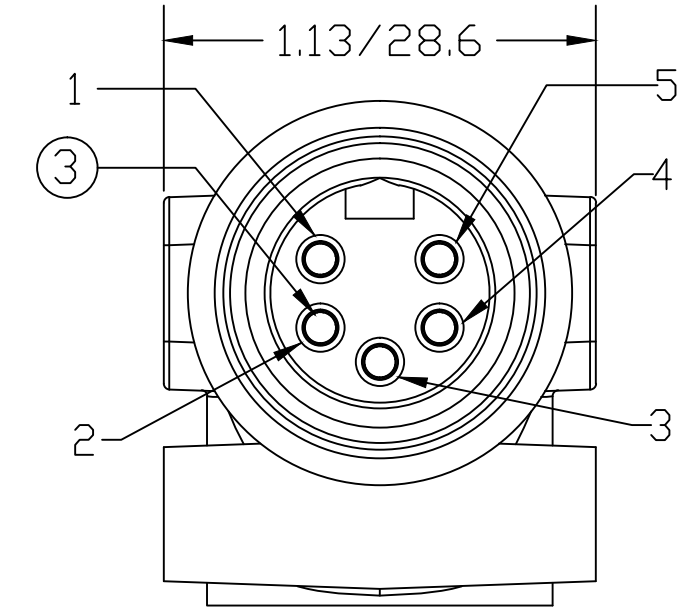
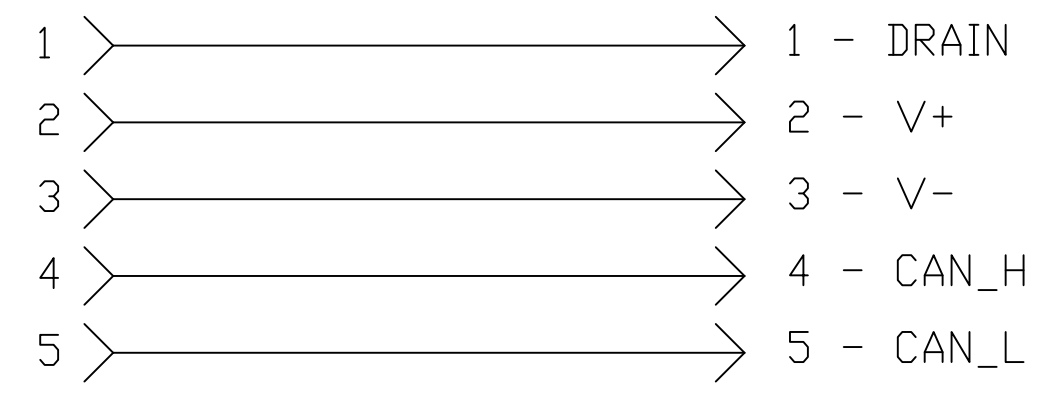


MATERIAL NUMBER	OLD PART NUMBER
130035-0007	115011A-PM-1



SCHEMATIC



LED FUNCTIONALITY:
 SOLID GREEN LED = BUS VOLTAGE >12.90 AND <=24.78
 FLASHING GREEN LED = BUS VOLTAGE WITHIN LIMITS OF SOLID GREEN OPERATION, BUT POWER HAS BEEN CYCLED WITHIN PREVIOUS 24 HRS
 FLICKERING RED LED = BUS VOLTAGE >24.78 (GREATER THAN 25.3 TO GUARANTEE DETECTION)
 FLASHING RED LED = BUS VOLTAGE >24.78 (25.3) WITHIN PREVIOUS 24 HRS
 FLICKERING BLUE LED = BUS VOLTAGE <12.90 (12.4)
 FLASHING BLUE LED = BUS VOLTAGE <12.90 (12.4) WITHIN PREVIOUS 24 HRS
 FLICKERING AMBER LED = BUS VOLTAGE HAS A REPEATED TRANSIENT VOLTAGE (BETWEEN 10Hz AND 250Hz) PRESENT THAT EXCEEDS THE DETECTION THRESHOLD (THRESHOLD LEVEL VARIES BY FREQUENCY)
 FLASHING AMBER LED = BUS VOLTAGE HAS EXPERIENCED A TRANSIENT OR RIPPLE AS SPECIFIED FOR FLICKERING AMBER CONDITION WITH PREVIOUS 24 HRS)

VOLTAGE RATING	30 VDC
PROTECTION	IP67
OPERATING TEMPERATURE	-20°C TO 80°C

ITEM	COMPONENT	MATERIAL	FINISH
1	INSERT	TPE	GRAY
2	CONTACT SOCKET	COPPER ALLOY	GOLD OVER NICKEL
3	CONTACT PIN	COPPER ALLOY	GOLD OVER NICKEL
4	COUPLING NUT	ZINC DIE CAST	BLACK E-COATED
5	OVERMOLD	TPE	GRAY

1.31/33.3 WAS 2.83/71.9
 EC NO.: IPG2014-0219
 DRWN: KJOZWIK 7/31/13
 CHKD: VOU
 APPR: JFMURPHY 2010/01/20
 REV DESCRIPTION

QUALITY SYMBOL ▽=0 ▽C=0	GENERAL TOLERANCES (UNLESS SPECIFIED)	DIMENSION STYLE IN/MM	SCALE 1:1	DESIGN UNITS INCH	THIRD ANGLE PROJECTION
	4 PLACES ±--- ±---	DRAWN BY KJOZWIK	DATE 2010/01/19	TITLE DNET POWER MONITOR INLINE DEVICENET	
	3 PLACES ±--- ±.005	CHECKED BY VOU	DATE 2013/08/01	MOLEX INCORPORATED	
	2 PLACES ±0.13 ±.010	APPROVED BY JFMURPHY	DATE 2010/01/20	MATERIAL NO. 1300350007	DOCUMENT NO. SD-130035-009
	1 PLACE ±0.25 ±.020	ANGULAR ±1/2°		SHEET NO. 1 OF 1	
	DRAFT WHERE APPLICABLE MUST REMAIN WITHIN DIMENSIONS	THIS DRAWING CONTAINS INFORMATION THAT IS PROPRIETARY TO MOLEX INCORPORATED AND SHOULD NOT BE USED WITHOUT WRITTEN PERMISSION			