

THE INFORMATION CONTAINED HEREIN IS CONSIDERED 'PROPRIETARY' TO BEL FUSE INC. AND SHALL NOT BE COPIED, REPRODUCED OR DISCLOSED WITHOUT THE WRITTEN APPROVAL OF BEL FUSE INC.

LED1 POLARITY			LED2 POLARITY		
PIN 13	PIN 14	COLOR	PIN 15	PIN 16	COLOR
+	-	GREEN	+	-	GREEN
-	+	ORANGE			



RJ45

ELECTRICAL CHARACTERISTICS @ 25°C

URNS RATIO

TP1	1CT : 1CT ±2%
TP2	1CT : 1CT ±2%
TP3	1CT : 1CT ±2%
TP4	1CT : 1CT ±2%

OCL @ 100kHz/100mVRMS

8mA DC BIAS	350µH MIN.
-------------	------------

INS. LOSS

0.1MHz TO 1MHz	-1.1 dB MAX
1MHz TO 65MHz	-0.5 dB MAX
65MHz TO 100MHz	-0.8 dB MAX
100MHz TO 125MHz	-1.2 dB MAX

RET. LOSS (MIN)

0.5MHz-40MHz	-18 dB
40MHz-100MHz	-12+20LOG(f/80MHz) dB

Cross Talk

Ch1-Ch2, Ch2-Ch3, Ch3-Ch4
Ch4-Ch1, Ch2-Ch4, Ch3-Ch1

1MHz - 30MHz	-37dB MIN
30MHz - 80MHz	-29dB MIN
80MHz - 100MHz	-28dB MIN

CM TO DM REJ

100kHz - 100MHz	-35 dB MIN
-----------------	------------

HIPOT (Isolation Voltage):

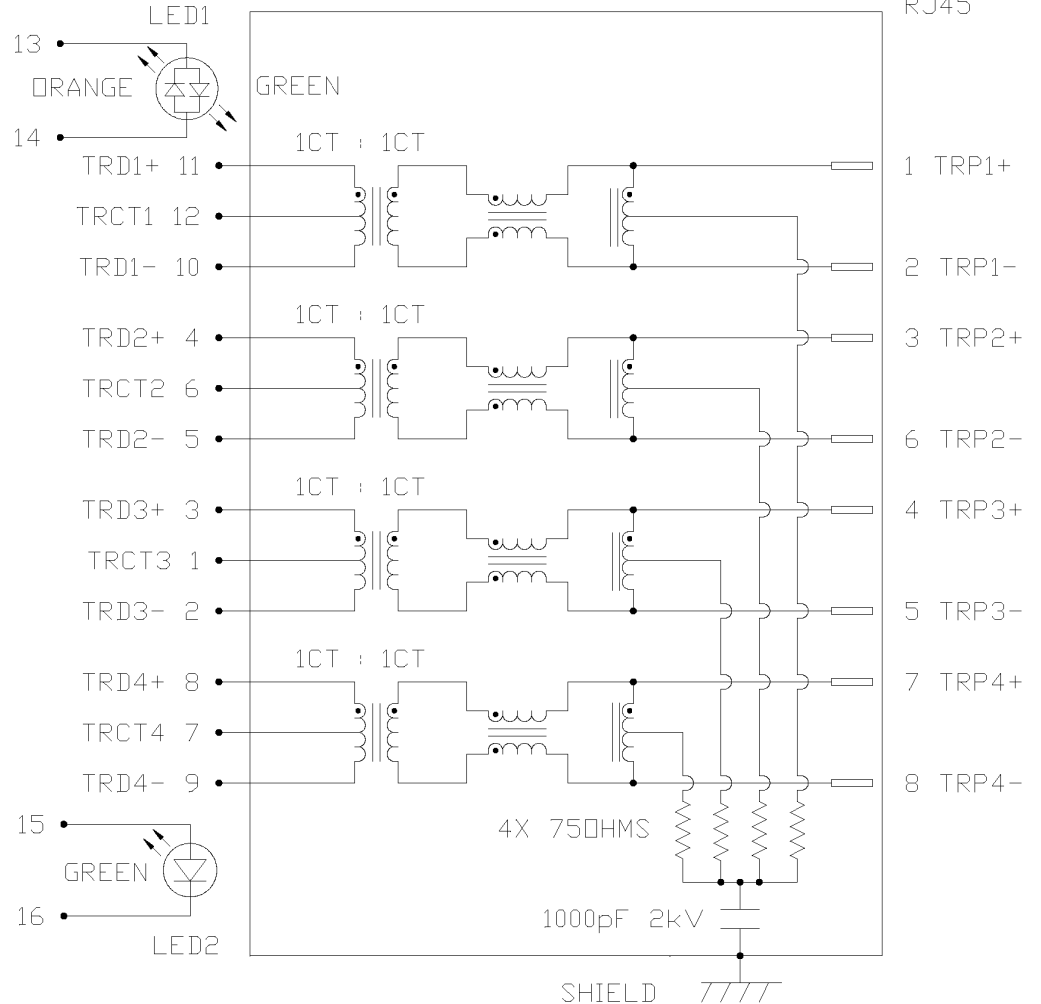
1500 Vrms or 2250VDC

LED 1

VF (FORWARD VOLTAGE)	IF=20mA	GREEN	2.2V TYP.
		ORANGE	2.0V TYP.
λD (DOMINANT WAVELENGTH)	IF=20mA	GREEN	565nm TYP.
		ORANGE	610nm TYP.

LED 2

VF (FORWARD VOLTAGE)	IF=20mA	GREEN	2.2V TYP.
λD (DOMINANT WAVELENGTH)	IF=20mA	GREEN	565nm TYP.

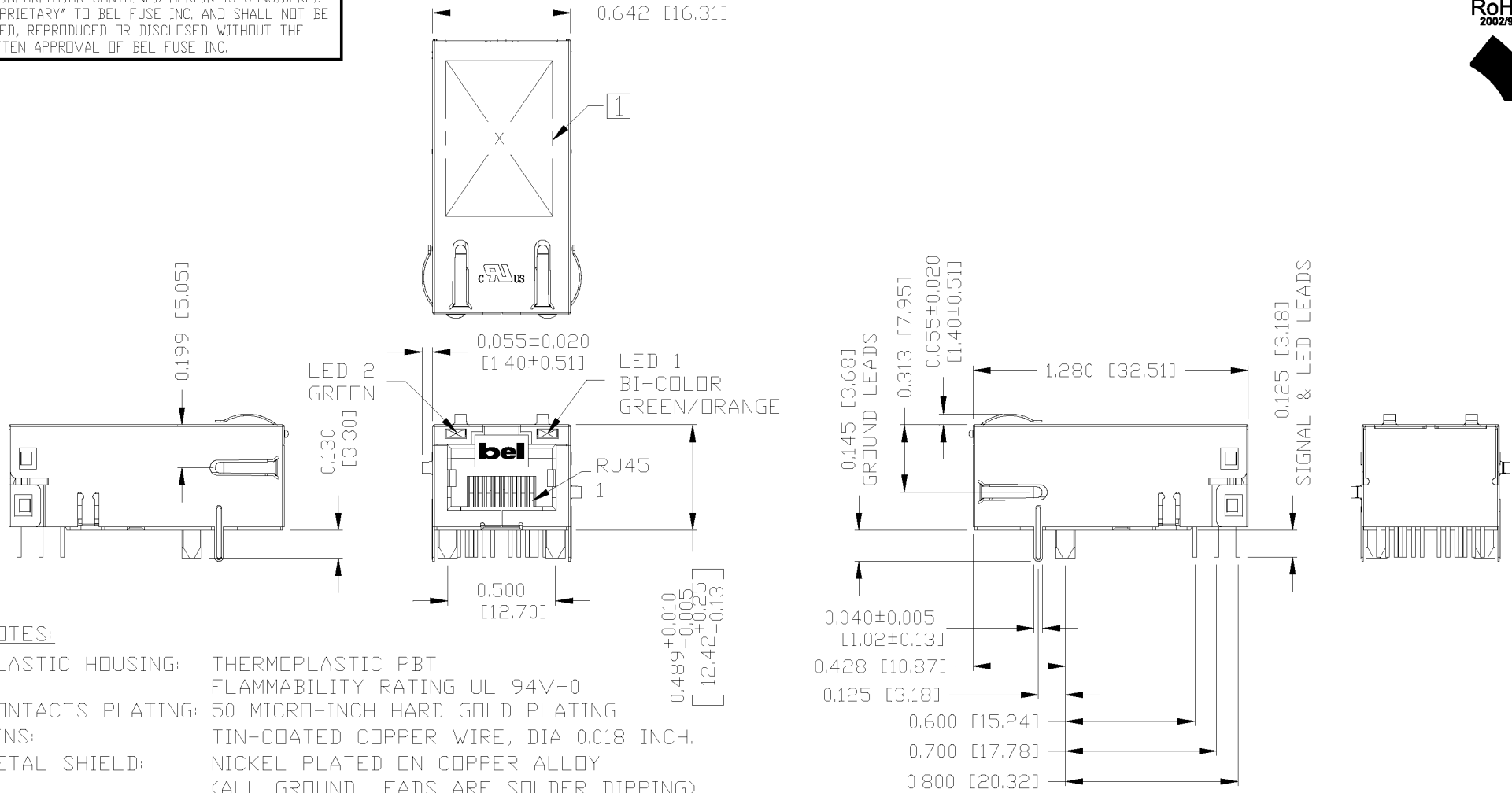


ORIGINATED BY	DATE	TITLE
CHUNG	01-05-07	gigabit MagJack® (12 cores, Tab Up)
DRAWN BY	DATE	
DE	01-05-07	L826-1M1T-23-F

PART NO. / DRAWING NO.	STANDARD DIM.	[] METRIC DIM. AS REFERENCE
L8261M1T23-F	TOL. IN INCH	UNIT : INCH [mm] REV. : B
FILE NAME	.X	SCALE : N/A SIZE : A4
L8261M1T23-FB.DWG	.XX	PAGE : 2
	.XXX	



THE INFORMATION CONTAINED HEREIN IS CONSIDERED "PROPRIETARY" TO BEL FUSE INC. AND SHALL NOT BE COPIED, REPRODUCED OR DISCLOSED WITHOUT THE WRITTEN APPROVAL OF BEL FUSE INC.



NOTES:

PLASTIC HOUSING: THERMOPLASTIC PBT
 FLAMMABILITY RATING UL 94V-0
 CONTACTS PLATING: 50 MICRO-INCH HARD GOLD PLATING
 PINS: TIN-COATED COPPER WIRE, DIA 0.018 INCH.
 METAL SHIELD: NICKEL PLATED ON COPPER ALLOY
 (ALL GROUND LEADS ARE SOLDER DIPPING)

[1] MARK PART WITH MFG LOGO, MFG NAME, PART NUMBER, AND DATE CODE.
 RoHS COMPLIANCE, PER EU DIRECTIVE 2002/95/EC.

c us UL RECOGNIZED - FILE #E196366 AND E169987.

JACK CAVITY CONFORMS TO FCC RULES AND REGULATIONS.

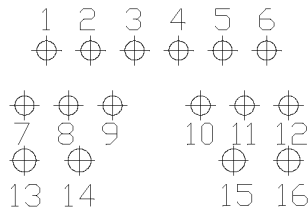
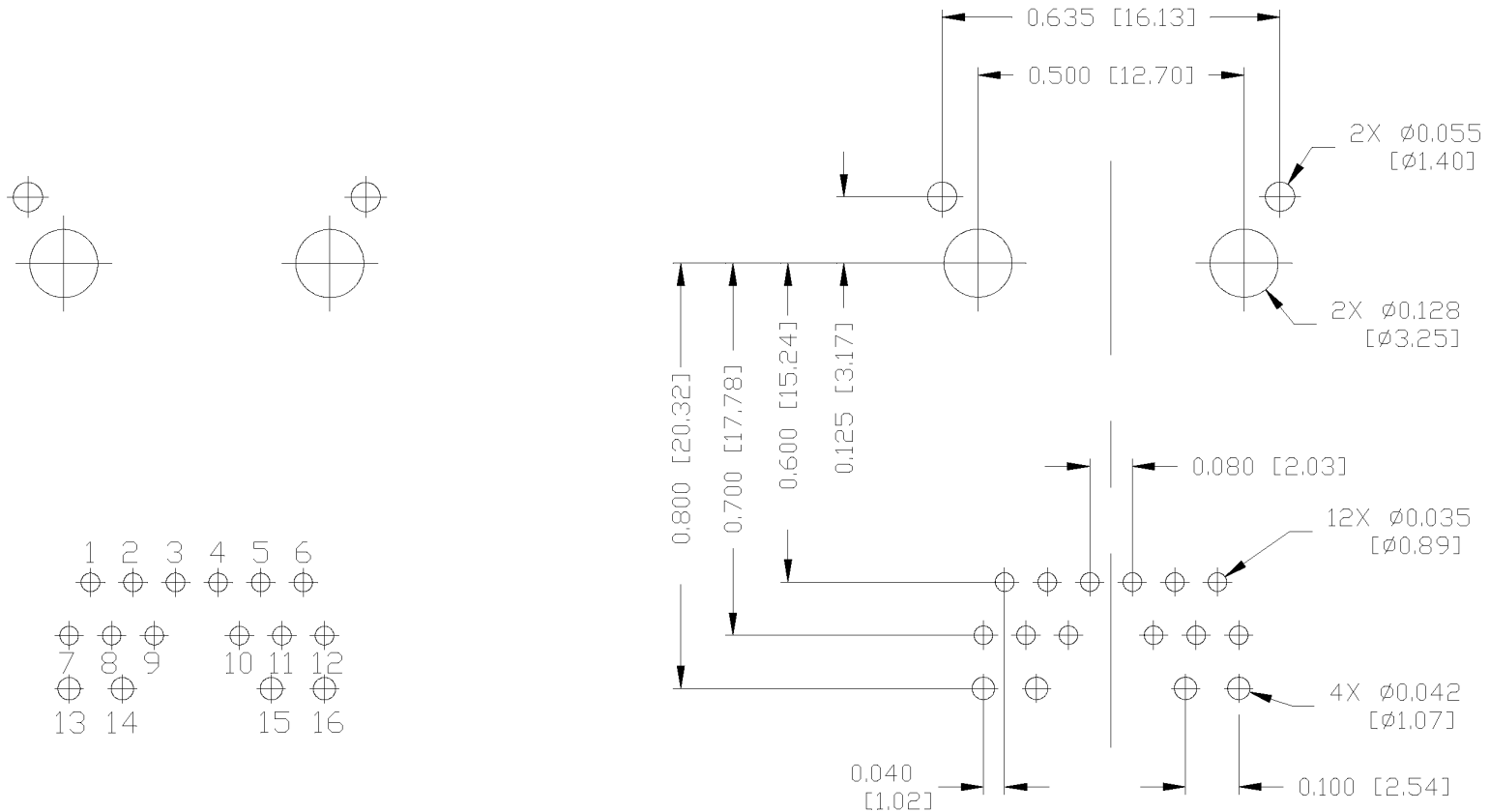
ORIGINATED BY	DATE	TITLE	PART NO. / DRAWING NO.	STANDARD DIM.	[] METRIC DIM. AS REFERENCE	
BILL	01-05-07	glgabit MagJack® (12 cores, Tab Up)	L8261M1T23-F	TOL. IN INCH	UNIT : INCH [mm]	REV. : B
DRAWN BY	DATE		FILE NAME	.X	SCALE : N/A	SIZE : A4
CHRIS	01-05-07	L826-1M1T-23-F	L8261M1T23-FB.DWG	.XX	PAGE : 3	 COMPONENTS FOR A CONNECTED PLANET
				.XXX ±0.010		

THE INFORMATION CONTAINED HEREIN IS CONSIDERED "PROPRIETARY" TO BEL FUSE INC. AND SHALL NOT BE COPIED, REPRODUCED OR DISCLOSED WITHOUT THE WRITTEN APPROVAL OF BEL FUSE INC.

RoHS
2002/95/EC



RECOMMENDED PCB FOOTPRINT
(COMPONENT SIDE VIEW)



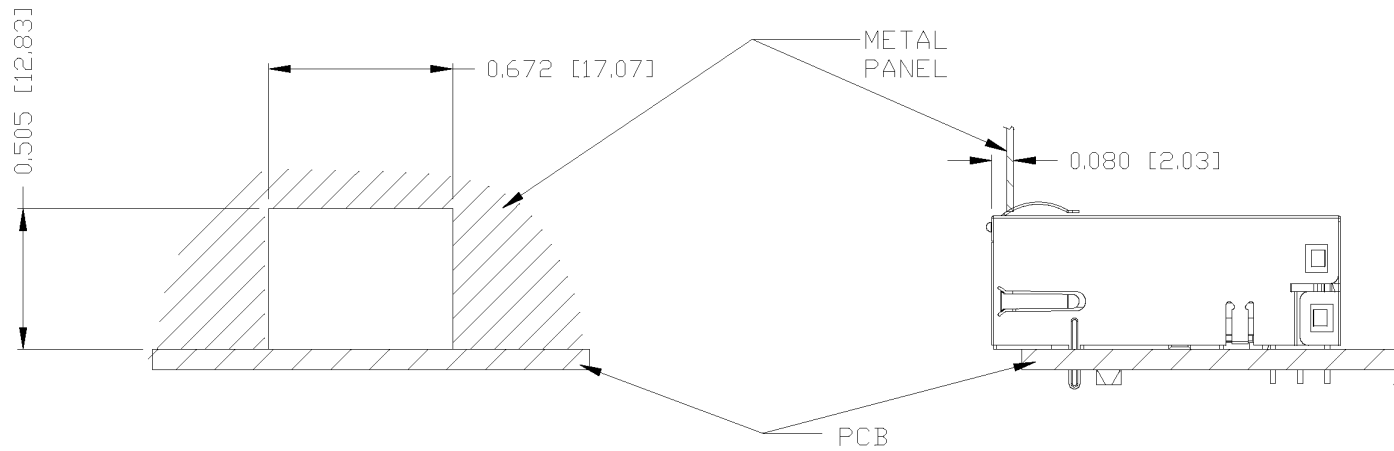
ORIGINATED BY BILL	DATE 01-05-07	TITLE gigabit MagJack® (12 cores, Tab Up) L826-1M1T-23-F	PART NO. / DRAWING NO. L8261M1T23-F	STANDARD DIM. TOL. IN INCH	[] METRIC DIM. AS REFERENCE
DRAWN BY CHRIS	DATE 01-05-07		FILE NAME L8261M1T23-FB.DWG	.X .XX .XXX	±0.004



THE INFORMATION CONTAINED HEREIN IS CONSIDERED "PROPRIETARY" TO BEL FUSE INC. AND SHALL NOT BE COPIED, REPRODUCED OR DISCLOSED WITHOUT THE WRITTEN APPROVAL OF BEL FUSE INC.



SUGGESTED PANEL OPENING



NOTE:

THE DISTANCE OF PANEL INSIDE SURFACE RELATIVE TO FRONT SURFACE OF PART IS ONLY A SUGGESTION. IN CASE THIS DISTANCE IS DIFFERENT, THE REQUIRED PANEL OPENING DIMENSIONS CHANGE ACCORDINGLY.

PACKING INFORMATION

PACKING TRAY: 0200-9999-D6 (TOP)

0200-9999-D7 (BOTTOM)

PACKING QUANTITY: 40 PCS FINISHED GOODS PER TRAY

11 TRAYS (440 PCS FINISHED GOODS) PER CARTON BOX

NOTE: CARDBOARDS ARE PLACED BETWEEN LAYERS OF PACKING TRAY INSIDE CARTON BOX

(INCLUDE THE UPPERMOST AND LOWERMOST TRAY)

ORIGINATED BY BILL	DATE 01-05-07	TITLE gigabit MagJack® (12 cores, Tab Up) L826-1M1T-23-F	PART NO. / DRAWING NO. L8261M1T23-F	STANDARD DIM. TOL. IN INCH	[] METRIC DIM. AS REFERENCE
DRAWN BY CHRIS	DATE 01-05-07		FILE NAME L8261M1T23-FB.DWG	.X .XX .XXX	±0.004

