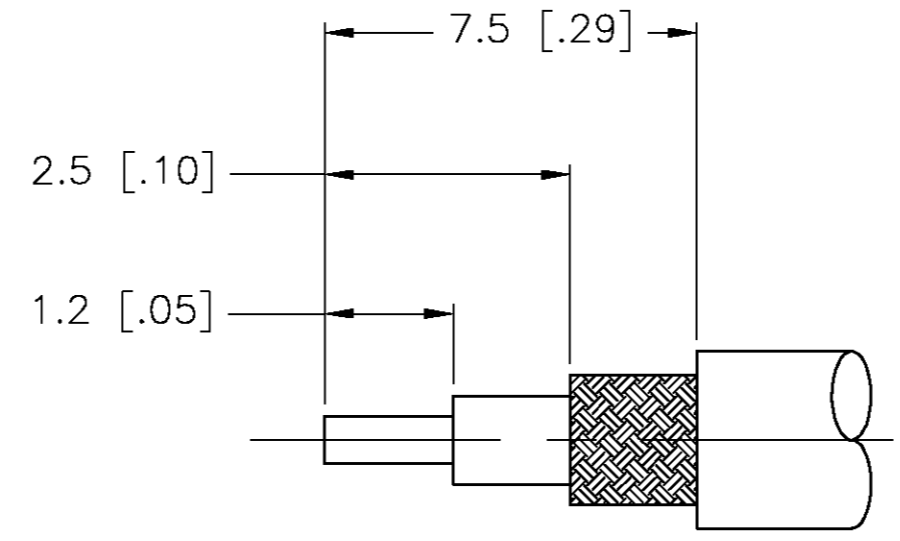
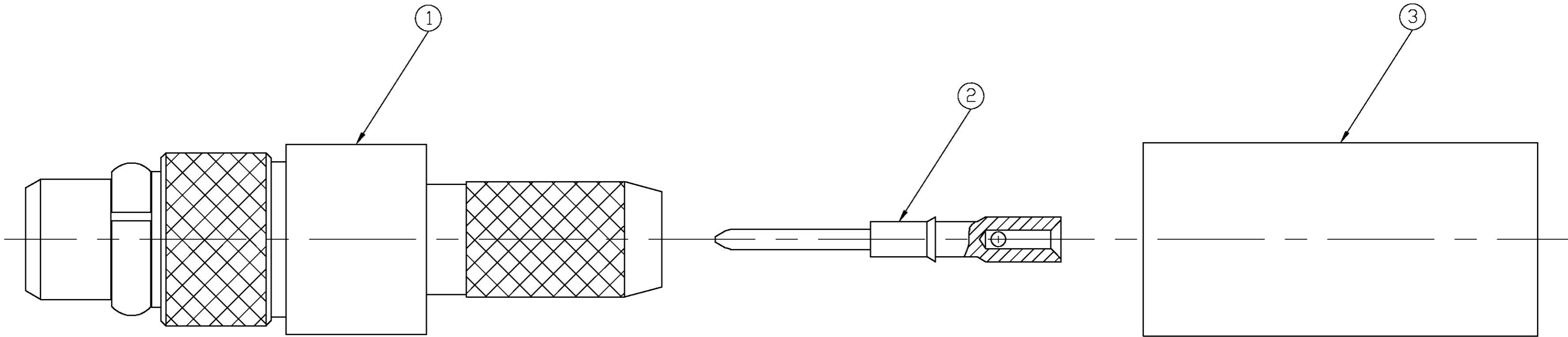


THIS DRAWING IS UNPUBLISHED. RELEASED FOR PUBLICATION
 © COPYRIGHT BY TYCO ELECTRONICS CORPORATION. ALL RIGHTS RESERVED.

LOC		DIST		REVISIONS			
P	LTR	DESCRIPTION	DATE	DWN	APVD		
AJ	-	C	REV PER 0514-0469-03	20NOV03	KW	KW	



RECOMMENDED CABLE STRIP LENGTH (NTS)

- 1. ITEMS 1, 2, AND 3 PACKAGED UNASSEMBLED
- △₂ CRIMP REQUIREMENTS: CENTER CONTACT .70 [.028] SQUARE
- △₃ CRIMP REQUIREMENTS: FERRULE 3.25 [.128] HEX
- △₄ CRIMP REQUIREMENTS: FERRULE 3.86 [.152] HEX

RD-316 △ ₂ △ ₄	3-413889-2	1408215-4	1408317-1	1408312-2
RG-316 △ ₂ △ ₃	3-413889-1	1408215-4	1408317-1	1408312-1
CABLE CRIMP INFO	FERRULE △ ₃	CONTACT △ ₂	PLUG ASSY △ ₁	PART NUMBER

THIS DRAWING IS A CONTROLLED DOCUMENT.

DWN	RMF	01OCT01
CHK	RMF	02OCT01
APVD	RMF	02OCT01
PRODUCT SPEC	108-2084	
APPLICATION SPEC	408-8626	
WEIGHT	.83G/.029oz	A2
CUSTOMER DRAWING	SCALE 15:1	SHEET 1 OF 1

Tyco Electronics Corporation
 Middletown, PA 17057
tyco Electronics
 NAME: MMCX STRAIGHT CABLE PLUG
 SIZE: A2 CAGE CODE: 00779 DRAWING NO: C=1408312 RESTRICTED TO: -
 REV: C