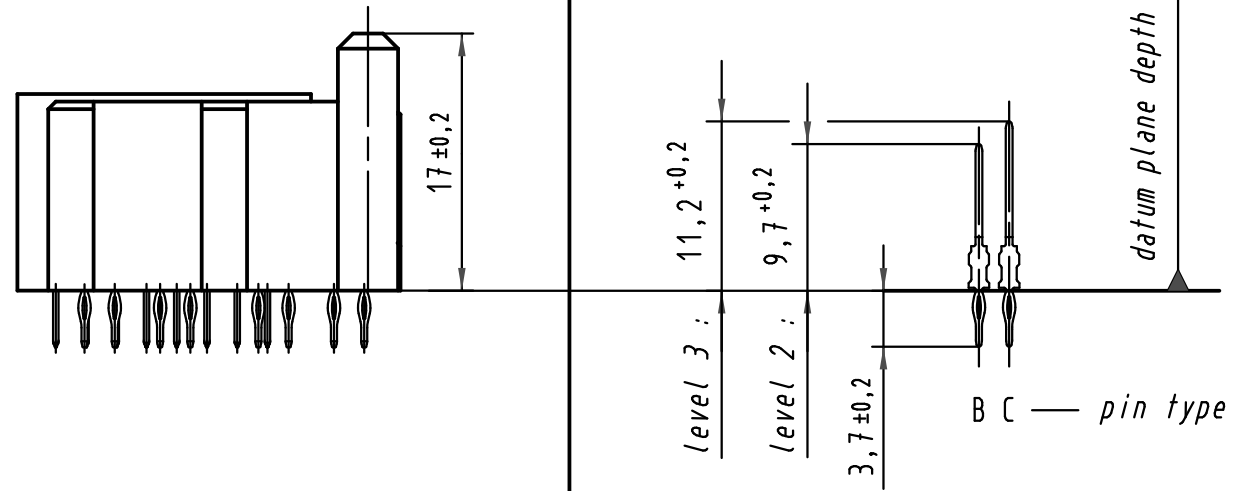
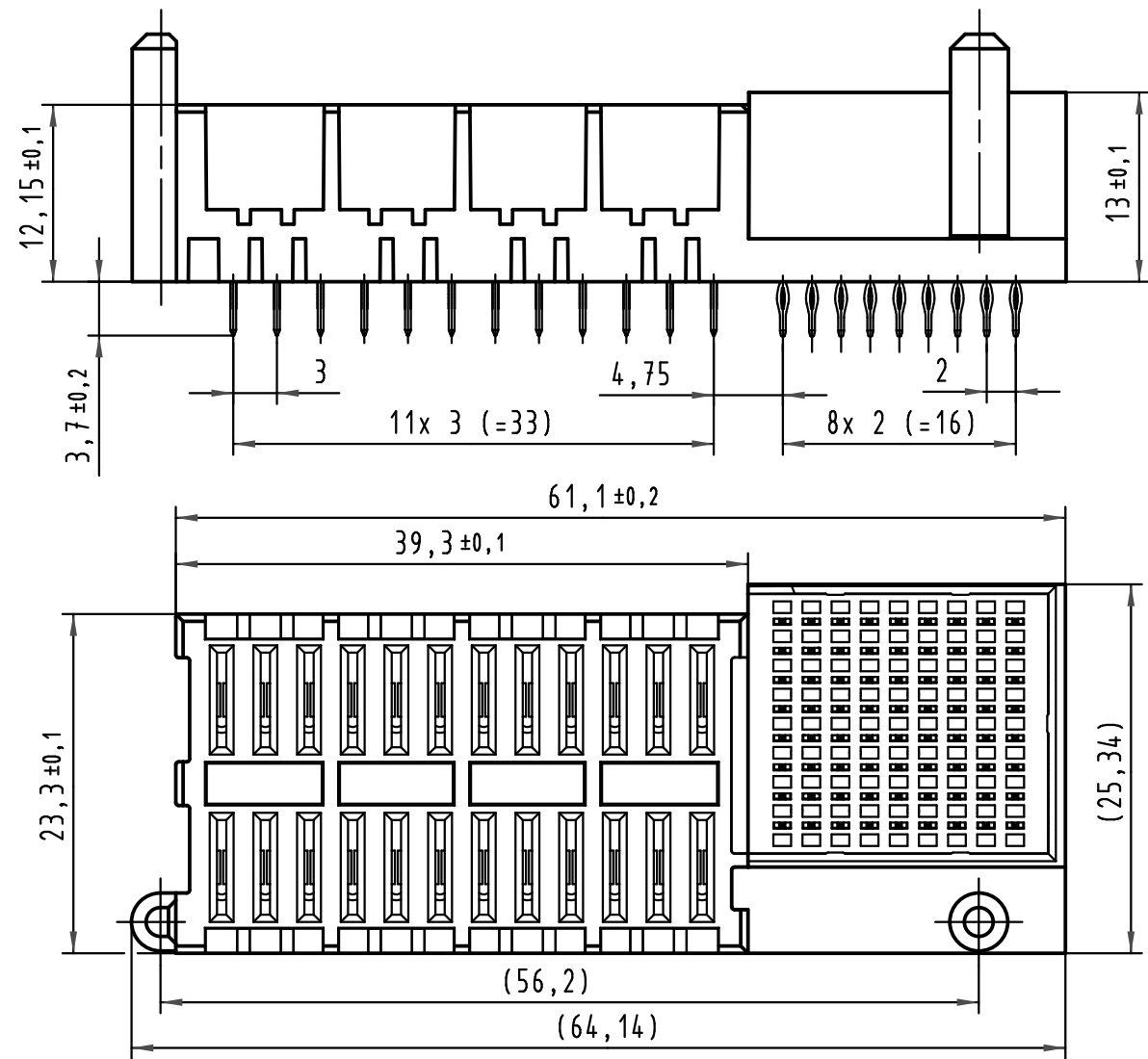
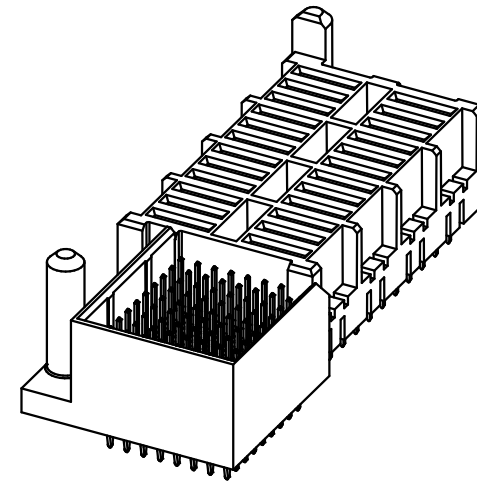


Alle Rechte vorbehalten/ All rights reserved

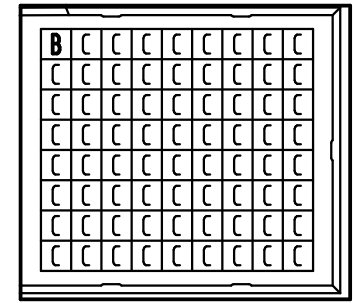


contact dimensions

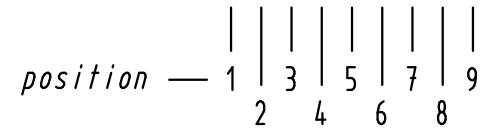
(mating and termination length of contacts apply to pressed in connectors)



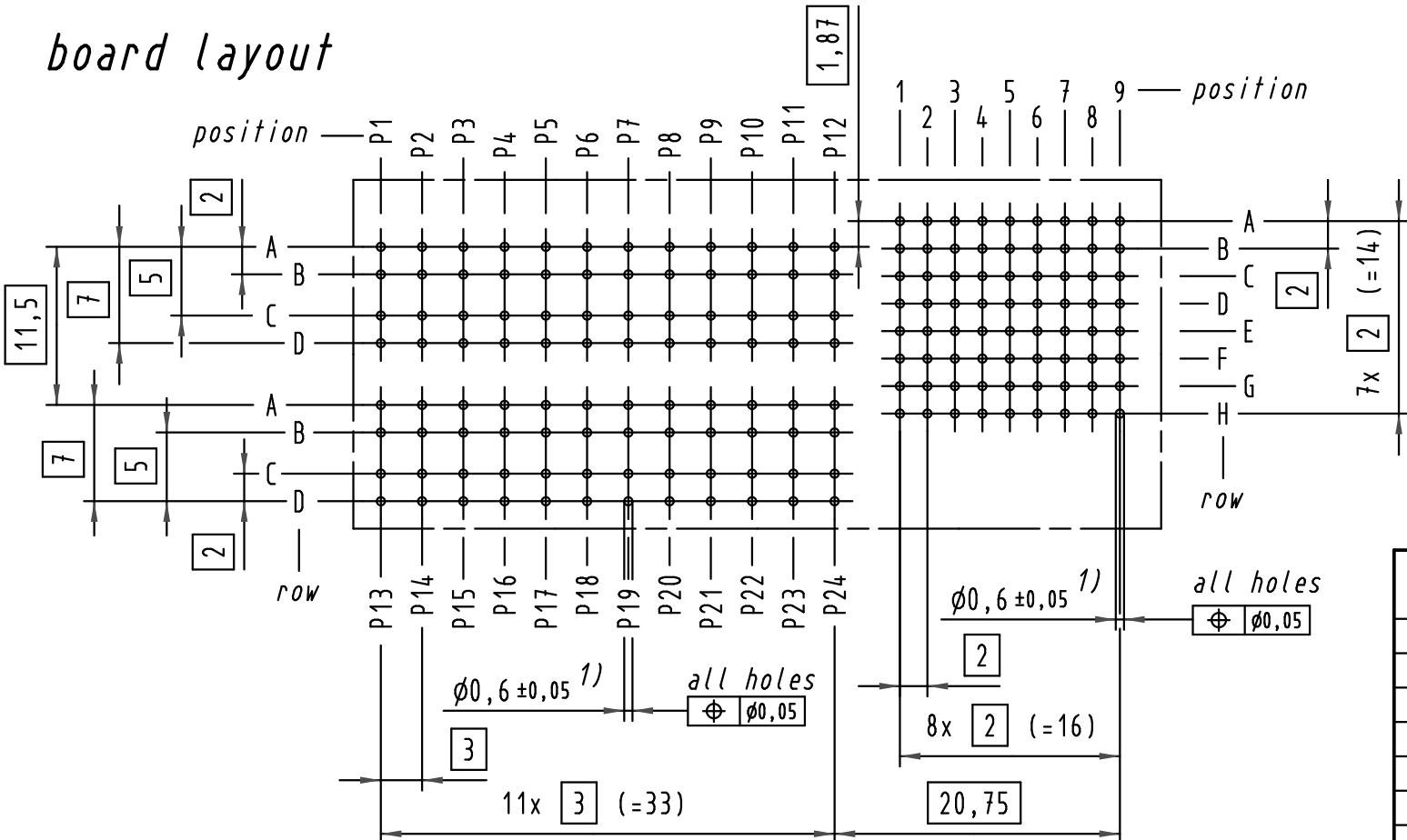
contact loading signal contacts



row
— A
— B
— C
— D
— E
— F
— G
— H



board layout



1) drill hole diameter: $\phi 0,7 \pm 0,02$ mm

1) through hole diameter (after plating): $\phi 0,6 \pm 0,05$ mm

All Dimensions in mm Original Size DIN A 3		Techn. Character.			Nicht tolerierte Maß/Free size tolerances		
			Dat.	Name	Maßstab/Scale 2:1	MicroTCA backplane power connector 96 pole, press-fit	
			Detail.	20.04.07			HL.
			Insp.	20.04.07			Ko
			Stand.				
33904		HARTING Electronics GmbH & Co. KG				TB 16 33 096 1201 000	
Mod.	Dat.	D-32339 ESPELKAMP		Sub.			Blatt/ page