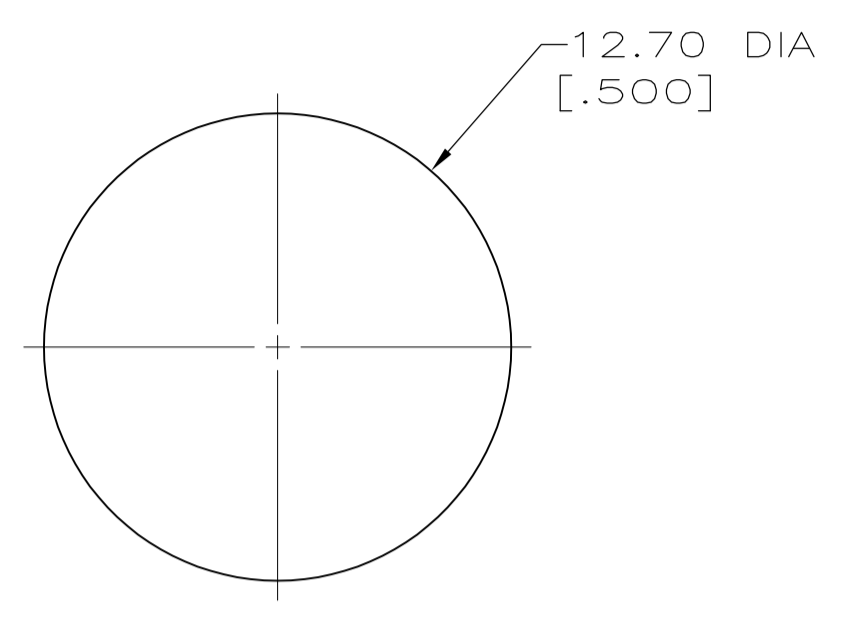
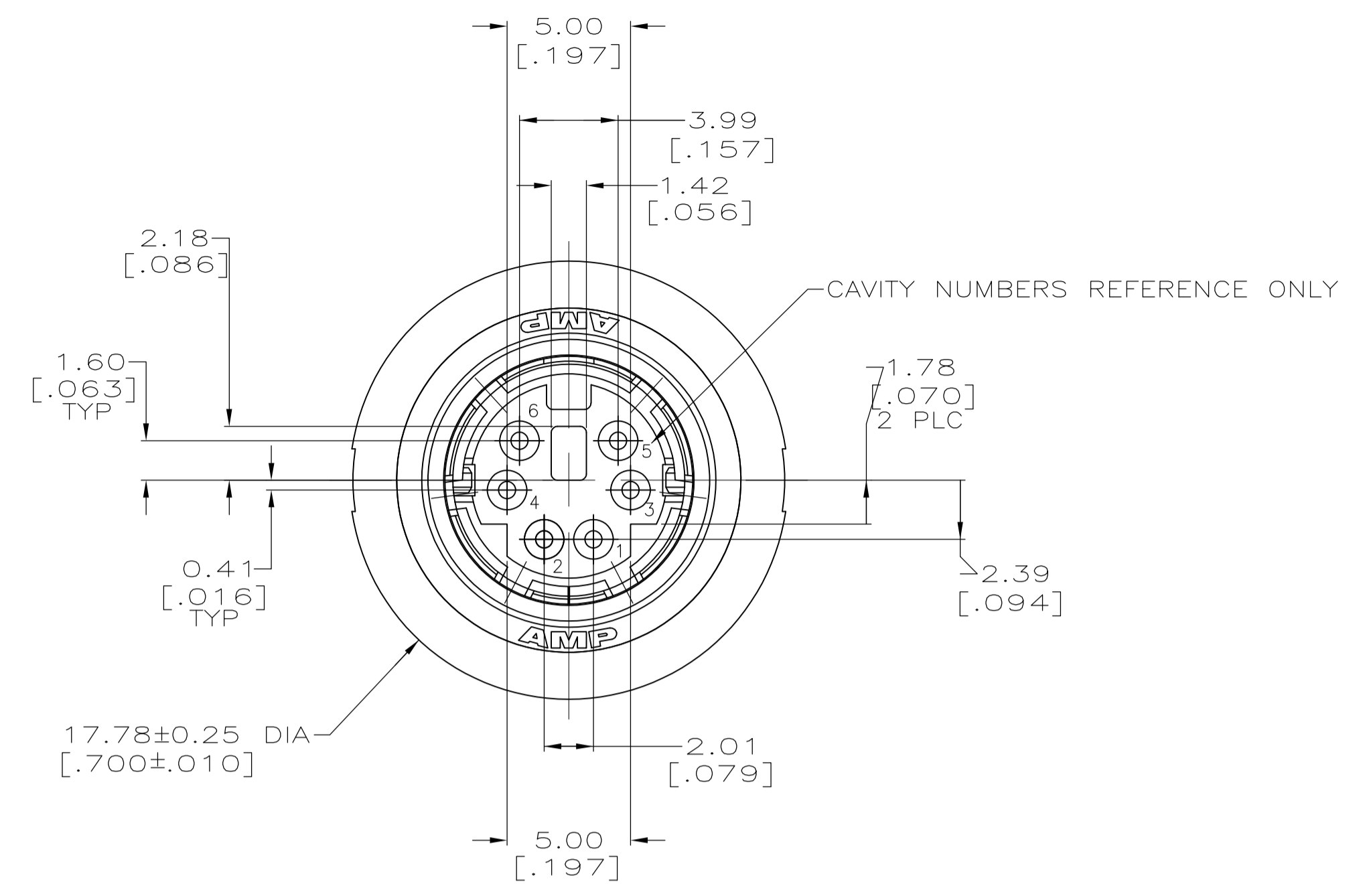
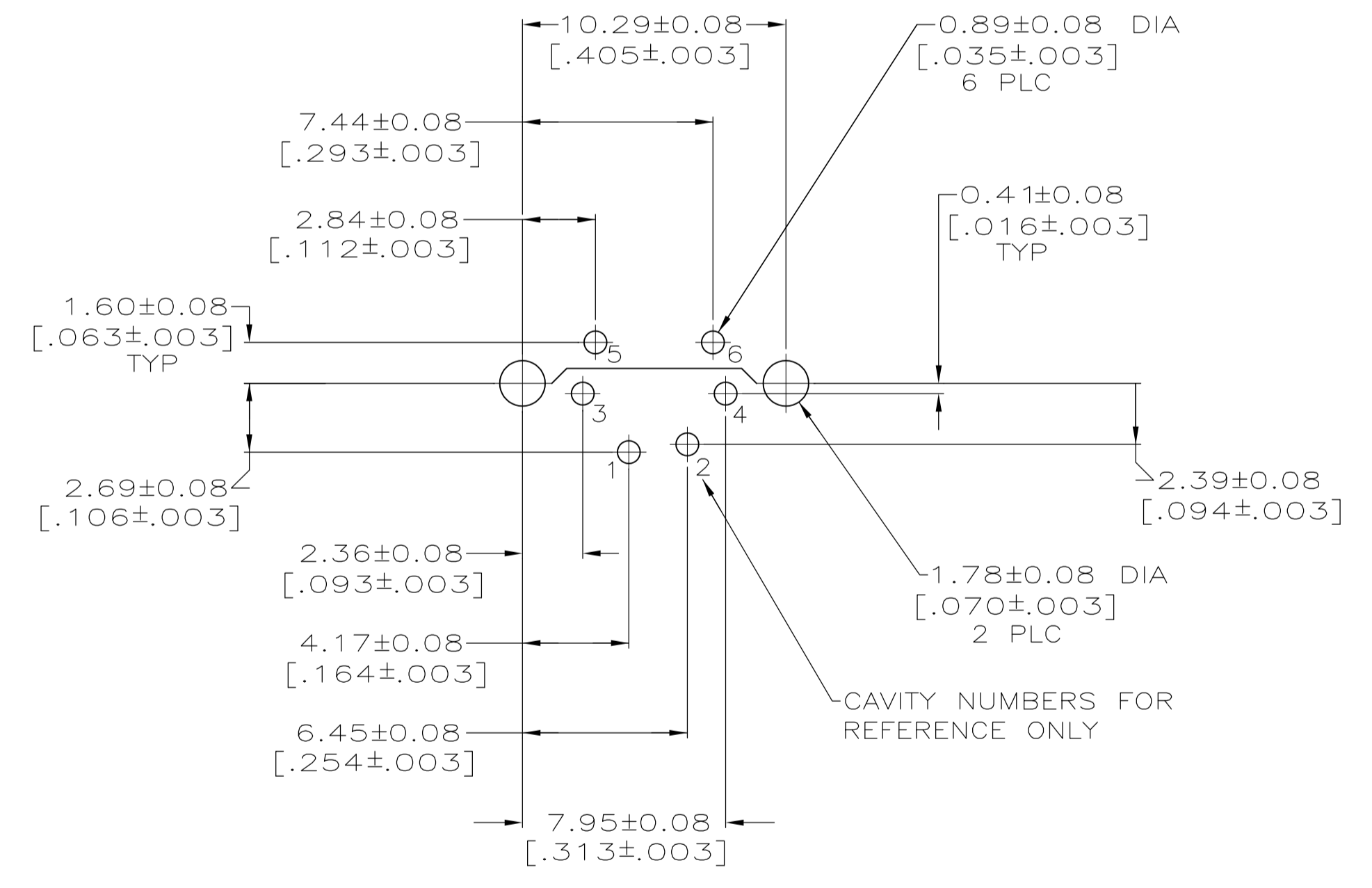
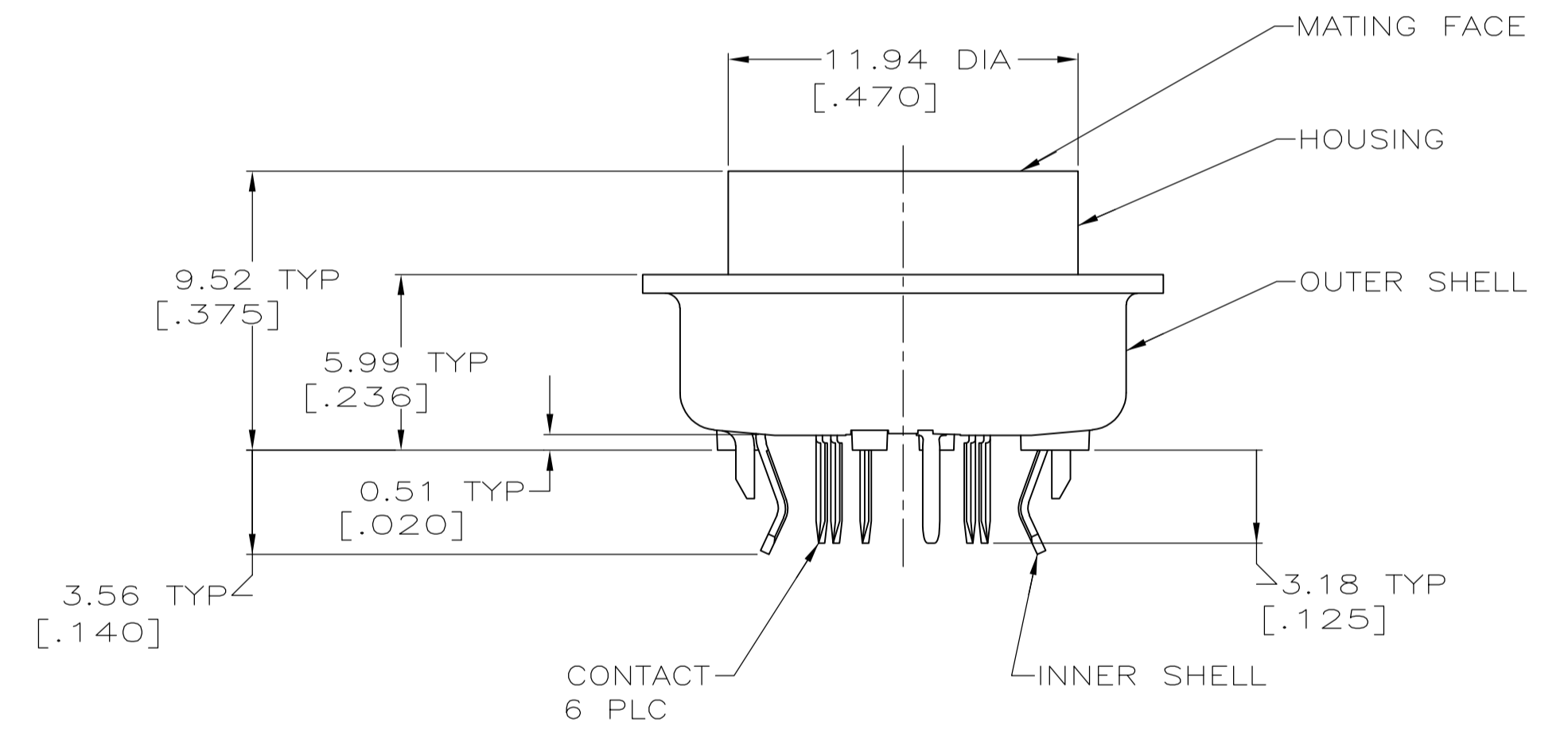


LOC		DIST		P		F		ZONE		LTR		REVISIONS			
BD												DESCRIPTION	DATE	APPD	
												0	RLSE NPR 2960	8-90	-
												A	REVISED PER ECN BD4681	02/08/91	-
												C	REACTIVATED -2 PER ECN 0020-747-94	07/05/94	SFM
												D	OBSOLETE -2 PER ECR -15-001662	02/02/15	J.L.

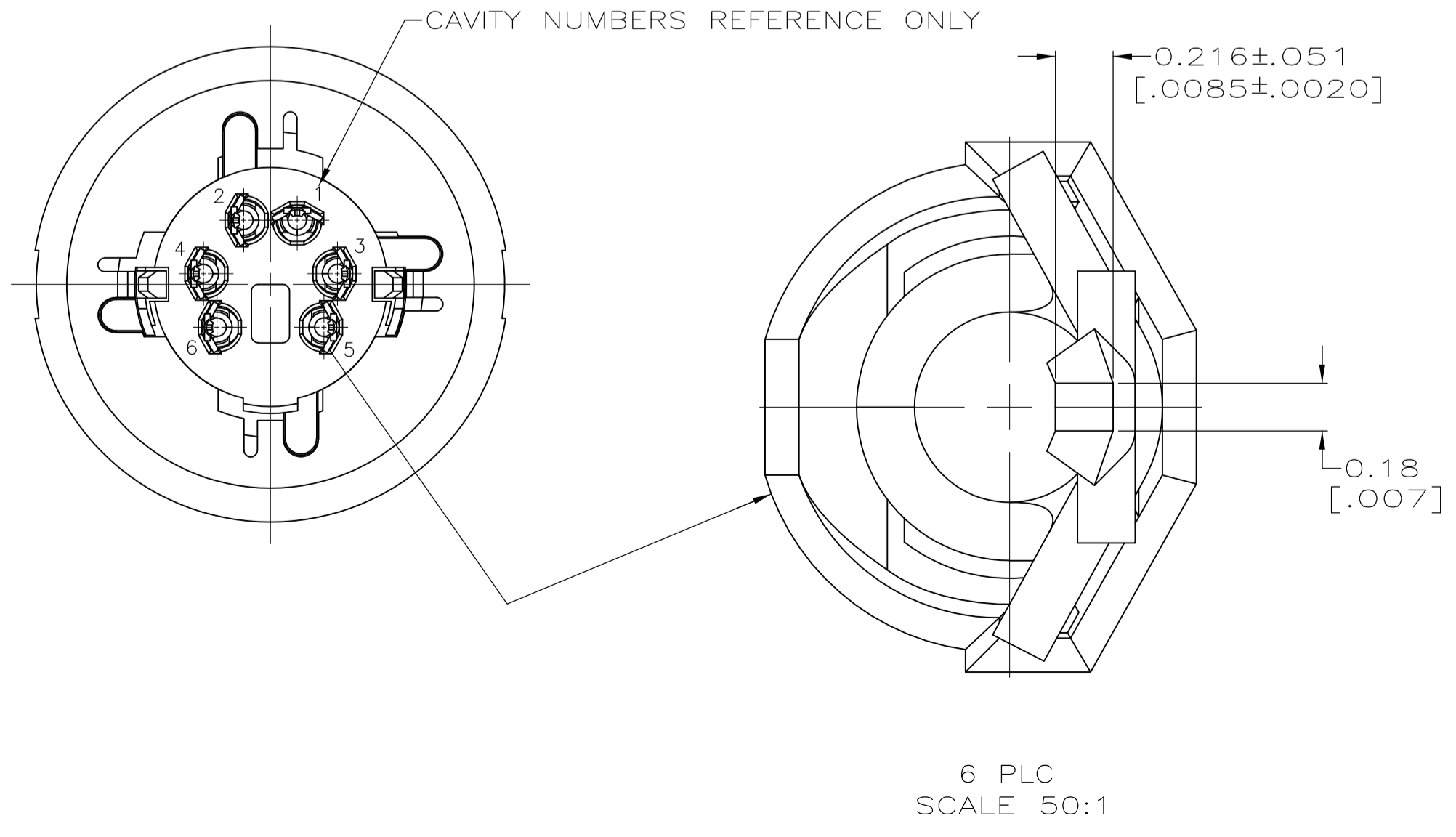


RECOMMENDED PANEL CUT-OUT

- 1 SHELLS: BRASS; CONTACTS: PHOSPHOR BRONZE; HOUSING: POLYESTER, UL 94V-0 RATED, BLACK.
- 2 0.76 μm [.000030] MIN GOLD ON MATING END FOR A LENGTH OF 1.37 [.054] MIN ON INSIDE, 2.54 μm [.000100] MIN TIN-LEAD FOR A LENGTH OF 3.30 [.130] MIN FROM OPPOSITE END, ALL OVER 1.27 μm [.000050] MIN NICKEL.
- 3 0.38 μm [.000015] MIN GOLD ON MATING END FOR A LENGTH OF 1.37 [.054] MIN ON INSIDE, 2.54 μm [.000100] MIN TIN-LEAD FOR A LENGTH OF 3.30 [.130] MIN FROM OPPOSITE END, ALL OVER 1.27 μm [.000050] MIN NICKEL.
- 4 2.54 μm [.000100] MIN TIN-LEAD OVER 1.27 μm [.000050] MIN NICKEL.
- 5 GOLD PLATING PER MIL-G-45204, TIN PLATING PER MIL-T-10727, NICKEL PLATING PER QQ-N-290, COPPER PLATING PER MIL-C-14550.
- 6 RECEPTACLE ASSEMBLY MATES WITH 6 PIN, 8.99±0.10 [.354±.004] DIAMETER PLUG.
- 3.81 μm [.000150] MIN TIN-LEAD OVER 2.54 μm [.000100] MIN COPPER.



RECOMMENDED PC BOARD LAYOUT
BOTTOM VIEW



OBSOLETE	2	750329-2
OBSOLETE	3	750329-1
	CONTACT FINISH	PART NO

DO NOT SCALE PRINT. UNLESS SPECIFIED DIMENSIONS IN mm [INCHES]		DR 8-6-90 R.SHIREY		AMP AMP Incorporated Harrisburg, PA 17105-3608	
TOLERANCES: ON : 2 PLC DEC ± 0.13 [.005] 3 PLC DEC ± - ANGLES ± -		CHK 9-5-90 R.STONE			
MATERIAL		APPD 9-5-90 R.WHYNE		NAME	
FINISH: 1 CONTACTS: SEE TABLE INNER SHELL: 2 OUTER SHELL: 3		APPD 9-10-90 J.FULPONI		RECEPTACLE ASSEMBLY, 6 POSN, LOW FLANGE, SHIELDED, VERTICAL, MINIATURE CIRCULAR DIN	
APPLICATION SPEC		PRODUCT SPEC		SIZE	
WEIGHT		-		CAGE CODE	
				DRAWING NO	
				00779	
				750329	
				SCALE	
				5:1	
				SHEET	
				10F 1	